



Models

Simple base
Base with
storage
TRF20
TRF30

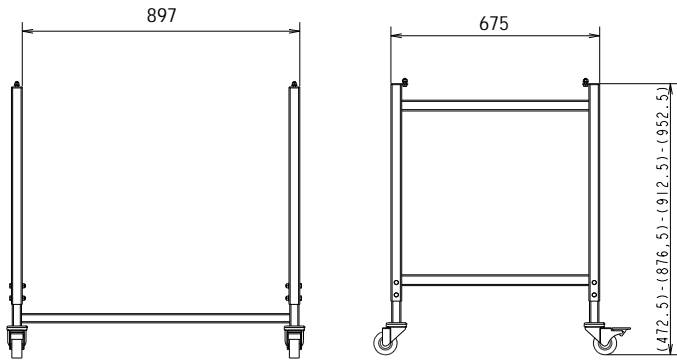
Out-feed belt Base frames for moulders



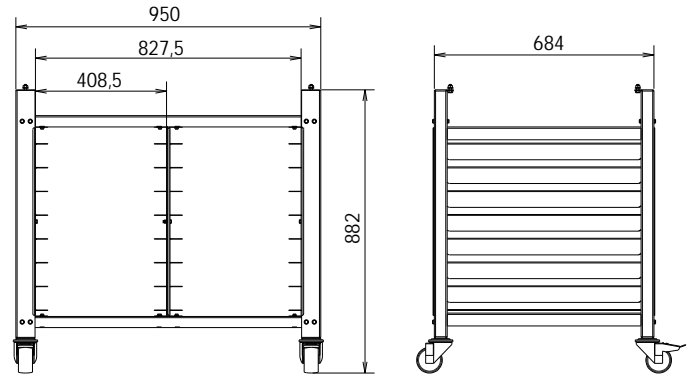
- Ergonomic
- Strong

Moulder bases

Compatible with all of our moulders



Dimensions of simple base (in mm)



Dimensions of base with storage (in mm)

Out-feed belt

