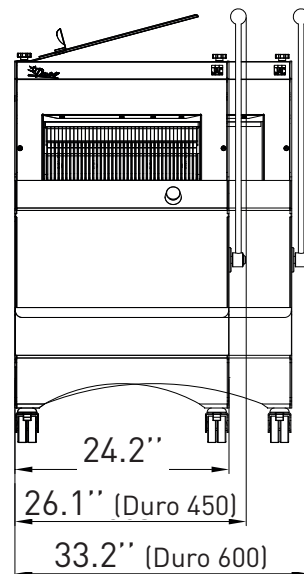
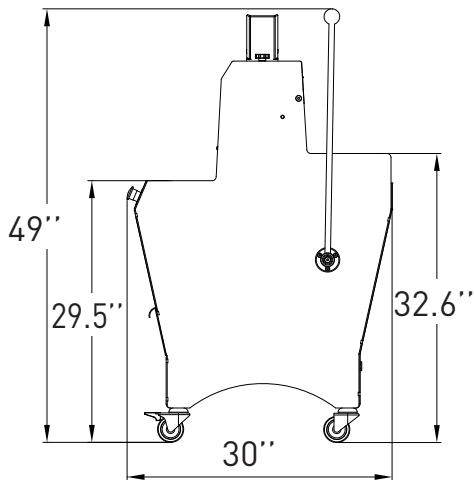




DURO

Semi-automatic frame slicer

- ✓ Robust
- ✓ Progressive traction lever
- ✓ Available as single or dual slice models
- ✓ 5 years parts / 1 year labor warranty



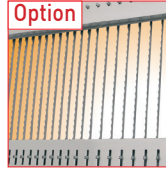
Traditionally Innovative

www.jac-machines.com

office@jac-machines.com



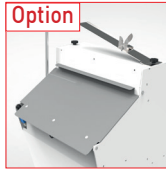
Progressive traction lever
Provides better control.



Option
Double slice thickness
Allows two different slice thicknesses on the same machine.



Removable crumb collector
Accessible from the front, collects up to 4 gallons of crumbs.



Option
Stainless steel rear safety cover
Lever actuated, closes the cover starts the slicing cycle



Option
1.6" height adjustment
Increases working comfort for tall operators.



Bagging spade
For easy bagging of sliced loaves.

FEATURES

	DURO 450	DURO 600
Max. loaf dimensions in in (L x W x H)	17.3" x 12.6" x 6.3"	23.6" x 12.6" x 6.3"
Motor power in kW	0.49	0.49
Type of motor	1ph/120V/60Hz/7.3A	1ph/120V/60Hz/7.3A
Net weight in lbs	331	386

CHOICES

Slice thickness options	from 3/8" to 1 1/4"	from 3/8" to 1 1/4"
-------------------------	---------------------	---------------------

OPTIONS

1.6" height adjustment	•	•
Double slice thickness		•
Rear safety cover	•	•