



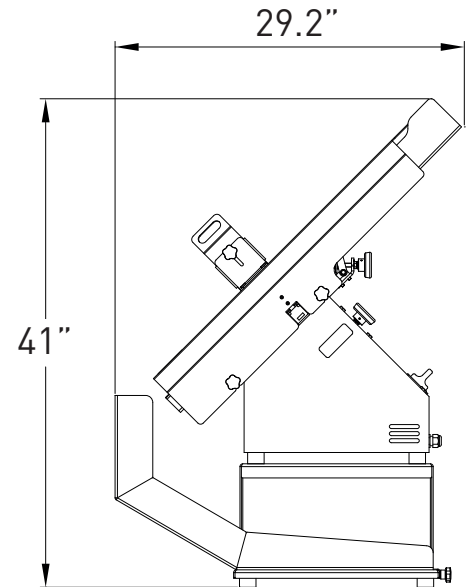
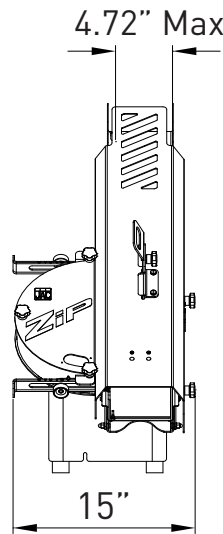
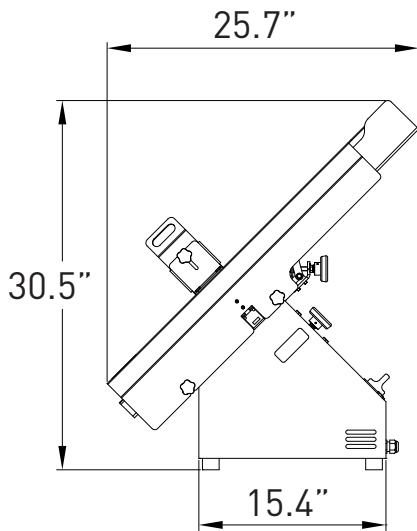
Bun & bagel slicer



- ✓ Very quiet operation
- ✓ Variable blade settings
- ✓ Variety of cutting heights and depths
- ✓ Can handle large bagels
- ✓ Heavy duty design
- ✓ Thruput of up to 2000 slices/hour
- ✓ 5 years parts / 1 year labor warranty



Zip+scorpion

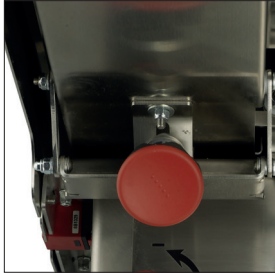




Adjustable cutting chute
The adjustable height and width allow several types of loaves to be held, while ensuring a clean, precise cut.



Stainless steel scorpion base unit



Blade adjustment handle
To set the height and depth of the cut in the bread.



Stainless steel base and cart with bins



Stainless steel shutter
Finger protection system fixed at the outlet of the cutting area.

FEATURES

	ZIP
Max/min bread dimensions (W x H) in mm	2.36" x 2.36" / 4.72" x 3.14"
Motor power in kW	0.49
Type of motor	1ph/120V/60Hz/6.6A
Net weight (in kg)	77.16
Blade type and dimensions	11.8" diameter steel

OPTIONS

Scorpion base unit	•
Stainless steel base	•
Cart with bins	•