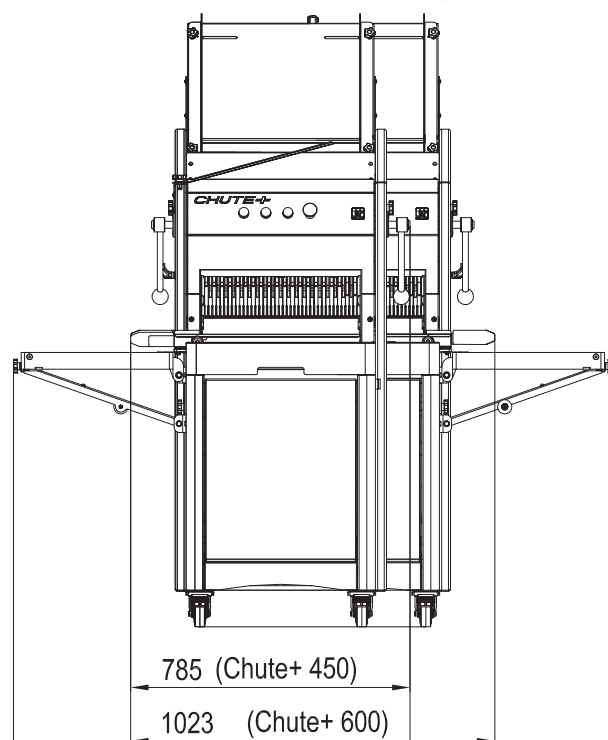
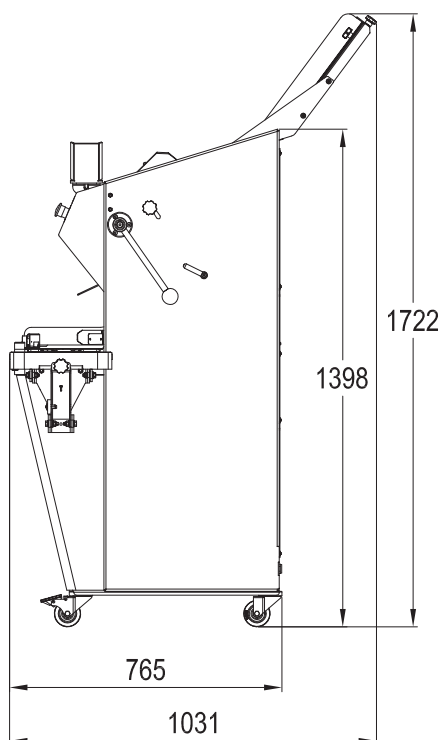
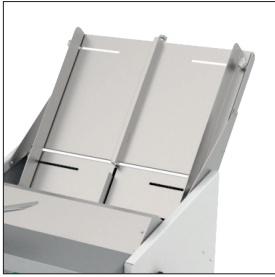


## CHUTE+

- ✓ Designed for cutting soft white loaves
- ✓ Maximum output thanks to a continuous cycle
- ✓ Minimum space requirement
- ✓ Economic
- ✓ Front-loading for ergonomic efficiency

Up to 500 loaves an hour

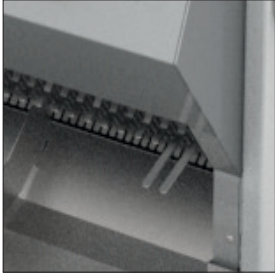




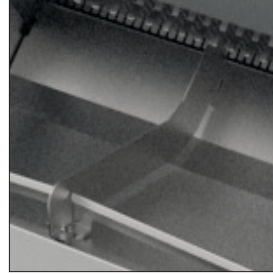
**Loading ramp**  
Fitted with side guides, increases loading capacity.



**Removable crumb collector**  
Accessible by tilting the front cylinder-assisted door. 18 litre capacity.



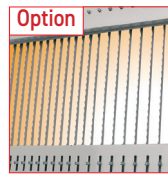
**Adjustable bread holder**  
Adjusts the pressure on the bread to ensure a clean, precise quality of cut.



**Bread exit guides**



**Lever on the side**  
Allows the final loaf to be cut completely safely.



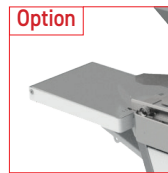
**Option**

**Double slice thickness**  
Allows two different slicing widths on the same machine



**Option**

**Foldable bag blower**  
Saves packaging time.



**Option**

**Chute+ 600**  
**Two Foldable bag blowers**  
Saves packaging time.

FEATURES	CHUTE+ 450	CHUTE+ 600
Max. loaf dimensions in cm (L x W x H)	44 x 16	59 x 16
Motor power in kW	0.49	0.49
Net weight (in kg)	230	230
Blade type and dimensions in mm	10 x 0.5 steel	10 x 0.5 steel

CHOICES	CHUTE+ 450	CHUTE+ 600
Slice thickness in mm	11 - 18	11 - 18
Type of motor	230V single phase 230V three-phase 400V three-phase	230V single phase 230V three-phase 400V three-phase

OPTIONS	CHUTE+ 450	CHUTE+ 600
Heavy duty motor	•	•
Foldable bag blower	•	•
Two Foldable bag blowers		•
Double slice thickness		•
Special blades	•	