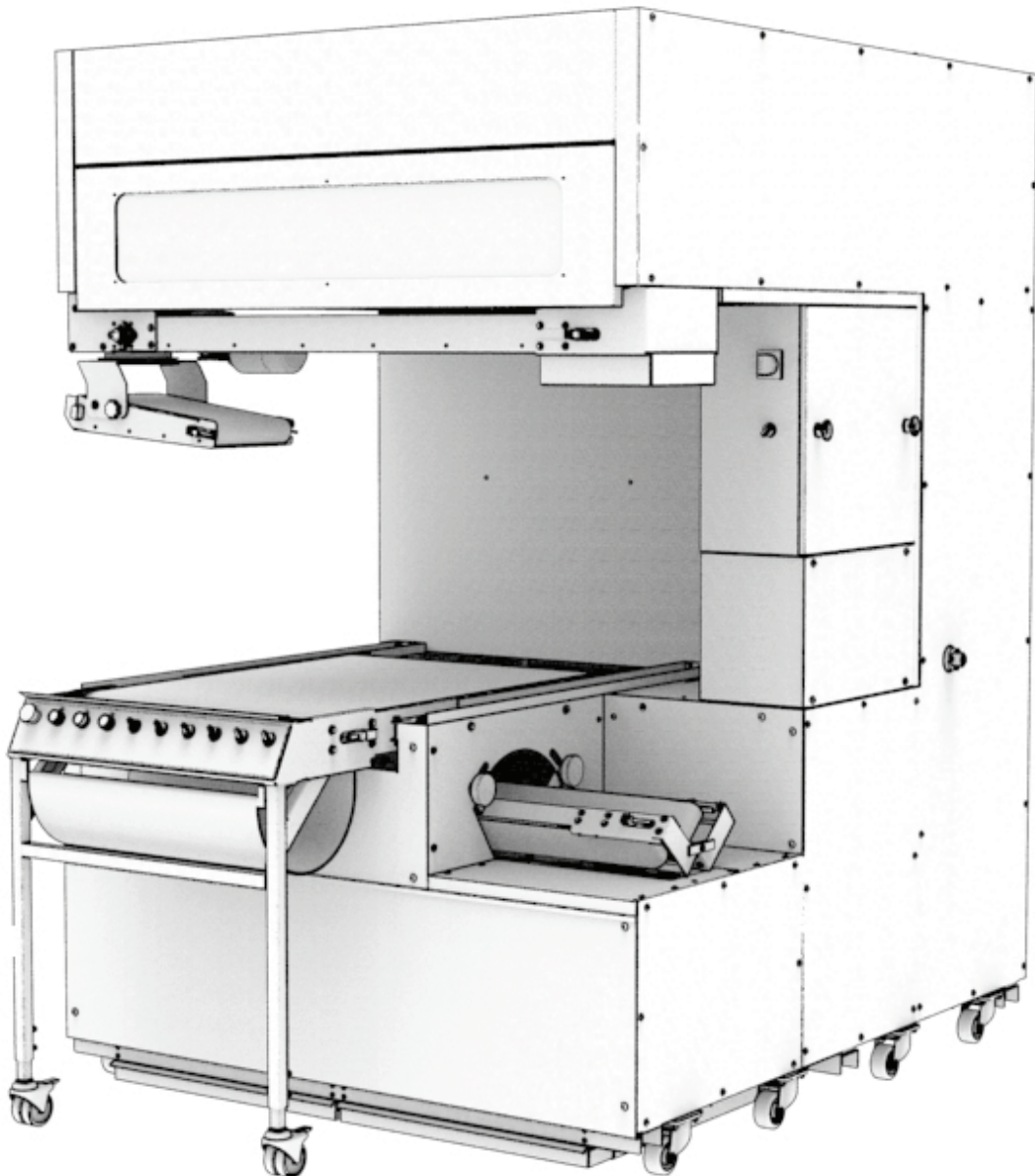




Traditionally Innovative

**PRO+**



EN – FR – DE – NL – RU – ES – IT – AR

V01-01-2017





EN- Translation of original user instructions	
Pro+ automatic bread line .....	5
FR- Notice d'utilisation originale	
Groupe automatique Pro+ .....	17
DE- Übersetzung der Originalanleitung	
Automatische Brotlinie Pro+ .....	29
NL- Vertaling van de originele gebruikershandleiding	
Automatische groep Pro+ .....	41
RU- Перевод оригинального руководства по эксплуатации	
Автоматизированная линия Pro+ .....	53
ES- Traducción del manual de uso original	
Grupo automático Pro+ .....	65
IT- Traduzione delle informazioni sull'utilizzo originali	
Gruppo automatico Pro+ .....	77
رنسي - ترجمة دليل الاستخدام الأصلي	
المجموعة الآلية Pro+ .....	89



<b>1</b>	<b>BEFORE COMMISSIONING</b> .....	<b>6</b>
<b>2</b>	<b>WARRANTY</b> .....	<b>6</b>
<b>3</b>	<b>WARNINGS</b> .....	<b>7</b>
<b>4</b>	<b>TECHNICAL SPECIFICATIONS</b> .....	<b>8</b>
4.1	Technical specifications .....	8
4.2	Details of materials in direct contact with dough .....	9
<b>5</b>	<b>INSTALLATION AND COMMISSIONING</b> .....	<b>9</b>
5.1	Unpacking the machine: .....	9
5.2	Positioning: .....	9
5.3	Electrical connection: .....	9
5.4	Commissioning: .....	10
5.5	Danger: .....	10
<b>6</b>	<b>CONTROLS AND SAFETY FEATURES</b> .....	<b>10</b>
6.1	Controls: .....	10
6.2	Work area: .....	10
<b>7</b>	<b>OPERATION</b> .....	<b>10</b>
<b>8</b>	<b>MAINTENANCE</b> .....	<b>11</b>
8.1	Daily, by a trained operator. ....	11
8.2	Weekly, by a trained operator.....	11
8.3	Annually, by an approved agent. ....	11
<b>9</b>	<b>CONSUMABLES</b> .....	<b>12</b>
9.1	List of CONSUMABLES .....	12
<b>10</b>	<b>MALFUNCTIONS</b> .....	<b>13</b>
<b>11</b>	<b>MANUAL UNLOADING OF TROUGHS</b> .....	<b>14</b>
<b>12</b>	<b>LIST OF COMPONENTS IN ILLUSTRATIONS</b> .....	<b>15</b>

---

## 1 BEFORE COMMISSIONING

---

Thank you for choosing a JAC system. It is essential that you read these instructions before installing and commissioning this machine. This will protect you and avoid damaging your machine.

These instructions refer to various illustrations in order to make them easier to understand. These illustrations are at the end of the instructions. Please refer to them whenever you see the following symbols: (fig.X, n°Y).

**To ensure that your machine gives you full satisfaction over the coming years, we invite you to familiarise yourself with the following advice:**

- Enlist the help of your approved agent for installation, commissioning and service support.
- In order to be covered by the 5-year warranty (see terms and conditions set out below), please have your dealer fill in the service booklet when your machine is being installed. The service booklet is at the back of your machine.

---

## 2 WARRANTY

---



**All JAC products are covered by a 5-year warranty.**

This warranty is valid for all parts on your machine, including electronic components but excluding consumables. The warranty takes effect on the date the equipment is installed.

**Subject to the following restrictive conditions:**

- Equipment acquired from an approved dealer;
- Installation carried out by an approved agent;
- Equipment used in accordance with the instructions for use and for the intended purpose for which it was manufactured;
- Equipment serviced on a daily basis in compliance with the instructions for use;
- Regular servicing by the approved agent in compliance with service specifications, with at least one service a year (servicing chargeable to the user).
- Exclusive use of genuine JAC parts.



**If there is no record of servicing by an approved agent and/or if the service booklet has not been filled in correctly, warranty cover will be limited to one year.**

**This warranty does not cover:**

- Replacement of consumables (§9);
- Parts not accepted as defective by our company;
- Problems due to improper use of the equipment;
- Problems due to installation not carried out by an approved agent;
- Parts or problems due to transit damage or improper handling.

**Repairing and/or replacing defective parts during the warranty period does not bring about an extension of said warranty.**

---

### 3 WARNINGS

---

It is most important that these user instructions be kept with the machine for any future reference. Should this machine be sold or transferred to another user, please ensure that the user instructions are handed over so that the new user can be familiarised with its operation and the warnings associated with it.



**These warnings are given for your safety and that of others. We would therefore ask you to read them carefully before installing and using the machine.**

This machine has been designed for use by authorised adults. Please therefore ensure that children do not touch it or use it as a toy.

This machine is intended exclusively for professional use.

It is dangerous to modify or attempt to modify the specifications of this machine.

After having installed this machine, please ensure that it is not standing on the power cable.

Follow the instructions given for its use.

This machine must be stored and used in an indoor room, protected from moisture and heat.

This machine must be adequately illuminated to operate it.

The noise level of this machine does not exceed 75 dB(A) in accordance with EN ISO 3744.

This machine must be used by one person at a time (unless otherwise specified).



**Always disconnect the mains supply before cleaning the machine inside/outside and when carrying out maintenance.**

This machine is heavy. Take all necessary safety precautions when handling it.

## 4 TECHNICAL SPECIFICATIONS

### 4.1 Technical specifications

	P12ST	P17ST
Height (mm)	2284	2280
Width (mm)	1510	2010
Depth (mm)	1753	1753
Trough length (mm)	1220	1720
Trough width (mm)	130	130
Total number of troughs	80	
Packaging (mm)	2120x1710x1465	2455x1925x1465
Net weight (kg)	655	809
Net weight + packing (kg)	825	1009
Motor power rating (kW)	0.72	
Motor type	Three-phase	
380 V - 50 Hz (A)		
Unloading	Internal/External	
Type of outlet	Right-hand side/Left-hand side	
Volumetric divider positioning	Front/Side	
Trough material	ARCONET	

OPTIONS	
Germicidal lamp	included
Extractors	included
External unloading belt	included
Adjustable rounder	included
Retractable outfeed belt	included
Bypass	optional
Long retractable outfeed belt	optional

PITCH = 4 (Maximum dough piece weight: 600 g) Trough width: 130 mm – Number of working troughs: 59				
Number of dough pieces	Number per trough	Proofing time in minutes		
		Speed 1 (960 dp/h)	Speed 2 (1200 dp/h)	Speed 3 (1400 dp/h)
236	4	15	12	10
295	5	18	15	13
413	7	26	21	18

PITCH = 5 (Maximum dough piece weight: 950 g) Trough width: 160 mm – Number of working troughs: 63				
Number of dough pieces	Number per trough	Proofing time in minutes		
		Speed 1 (960 dp/h)	Speed 2 (1200 dp/h)	Speed 3 (1400 dp/h)
141	3	8	7	6
188	4	12	9	8
235	5	15	12	10
329	7	21	17	10



#### 4.2 Details of materials in direct contact with dough.

**Rounder belt:** Wool

**Distribution belt:** Wool/Synthetic

**Troughs:** ARCONET

**Unloading belt:** ARCOT STRIP

---

## 5 **INSTALLATION AND COMMISSIONING**

---

### 5.1 Unpacking the machine:

Unpacking, assembly and commissioning is carried out by a JAC technician.

**After unpacking your machine, check that it has not been damaged in transit. Notify us of any defects.**

### 5.2 Positioning:

In order to achieve excellent performance and long-term reliability, choose a location that is:

Well ventilated, shielded from direct sunlight and away from sources of heat, with a flat and sturdy surface free from vibration.

### 5.3 Electrical connection:

**IMPORTANT:** This machine must be earthed.

It is recommended that the system be protected with a fuse and an RCD.

Your mains electricity supply to the machine must be protected as indicated below:

- North America: 15 A protection;

- Rest of the world: 16 A protection.

For machines equipped with a variable speed drive, it is imperative that they be connected to a junction box on a circuit fitted with a 300 mA RCD.

Note: Any problem resulting from any other type of connection will not be covered under warranty.

Before connecting your machine to the mains supply and in order to prevent the motor from burning out when it is switched on, it is important to check that the mains supply matches the machine specification (see machine nameplate).

This machine complies with Machinery Directives 2006/42, 2006/95, 2004/108 and is CE marked as proof of this.

Please familiarise yourself with the safety pictograms displayed on the machine:



This pictogram indicates an electrocution hazard. Please isolate the machine before carrying out any work on it. You will find it on the control panel, which acts as an electrical enclosure (fig.5, n°27).

You will find the circuit diagram for the machine inside the electrical enclosure (fig.5, n°27).

#### 5.4 **Commissioning:**

Before commissioning, ensure that there are no extraneous objects interfering with the machine's moving parts.

Ensure first of all (after verifying electrical compatibility) that the motors are rotating in the right direction, if so, the troughs will move in the right direction (otherwise switch 2 phases at the motor).

For machine operation, please refer to the "Operation" chapter.

#### 5.5 **Danger:**

If the user or the machine is in danger, you must use the main isolator switch to cut the power supply to the machine.

Remove the plug from the power socket before any maintenance and/or servicing work.

Any maintenance work or replacement of parts must be carried out by an approved agent.

---

## 6 **CONTROLS AND SAFETY FEATURES**

---

### 6.1 **Controls:**

Your machine is equipped as standard with a mechanical control panel (fig.1, n°3).

### 6.2 **Work area:**

The setting and work area is located at the machine control panel (fig.2, n°10).

---

## 7 **OPERATION**

---

**Switch on the power to the machine at the start of the day using the main isolator switch (fig.1, n°6).**

There are several different operating modes:

*"Automatic" mode:*

This mode is intended for working with the volumetric divider and with or without the moulder. In this mode you can use the volumetric divider to load the proofer, and simultaneously unload dough pieces located in the moulder.

*"Manual" mode:*

This mode is intended for working without the volumetric divider and with the moulder. In this mode you can unload dough pieces located inside the proofer into the moulder.

### **Procedure in automatic mode**

- A. Switch on the line using the main isolator switch located on the electrical enclosure (fig.1, n°6).
- B. Press the white "general start" button (fig.3, n°12).

- C. Set your volumetric divider and your moulder in accordance with the information in their respective instructions.
- E. Set the switch to “loaf or baguette” (fig.3, n°16).
- F. Set the “Proofer” switch to “Automatic” (fig.3, n°15).
- G. Set the “Volumetric divider” switch to “1” (fig.3, n°17).
- H. Set the “Moulder” switch to “Automatic” (fig.3, n°18).
- I. Press the green “Auto cycle start” button (fig.3, n°13).

The red button (fig.3, n°14) stops a cycle in progress (the moulder stops for a timed period in order to discharge the dough piece or pieces).

When there is no more dough in the hopper:

- M. Press the red “Auto cycle stop” button” (fig.3, n°14).
- N. Set the “Volumetric divider” switch to “0” (fig.3, n°17).
- O. Repeat the steps from point C.

### **Procedure in Manual mode**

- A. Set the “Proofer” switch to “Manual” (fig.3, n°15).
- B. Set the “Volumetric divider” switch to “0” (fig.3, n°17).
- C. Set the “Moulder” switch to “Automatic” (fig.3, n°18).
- D. Press the green “Auto cycle start” button (fig.3, n°13).

The red button (fig.3, n°14) stops a cycle in progress (the moulder stops for a timed period in order to discharge the dough piece or pieces).

### **Other control button functions**

- The UV switch (fig.3, n°20) activates the Ultraviolet cycle (this mode shuts down automatically after 30 minutes).
- The “Outfeed belt” switch (fig.3, n°19) activates or deactivates it.

---

## **8 MAINTENANCE**

---

### **8.1 Daily, by a trained operator.**

Clean the residue tray (fig.1, n°4, 5).

Start the UV cycle (fig.3, n°20).

### **8.2 Weekly, by a trained operator.**

Clean the inside and outside of the machine (dry cloth, paintbrush, vacuum cleaner).

### **8.3 Annually, by an approved agent.**

Check and adjust chain tension.

Lubricate chain pivots.

Lubricate the drive chain.

---

## 9 CONSUMABLES

---

When ordering spare parts, check with your approved agent which part is required based on the spare parts catalogue issued by the manufacturer.  
Always quote the machine serial number shown on the nameplate.  
Your agent will place the orders with JAC.

### 9.1 List of CONSUMABLES

ITEM CODE	NEW DESCRIPTION	MODEL
GERMICIDAL LAMP	GERMICIDAL LAMP	ALL
OPRA00020	SCRAPER BLADE	ALL
OPRA00025-412	TROUGH, ARCONET-T	P12ST
OPRA00025-417	TROUGH, ARCONET-T	P17ST
OPRA00025-512	TROUGH, WIDE, ARCONET-T	P12ST
OPRA00025-517	TROUGH, WIDE, ARCONET-T	P17ST
OPRA00015	ROUNDER BELT	P12ST
OPRA00016	DISTRIBUTOR BELT	P12ST
OPRA00017	OUTFEED BELT	P12ST
OPRA00018	INTERIOR OUTFEED BELT	ALL
OPRA00200	EXTERIOR OUTFEED BELT	ALL
OPRA00152	ROUNDER BELT	P17ST
OPRA00151	DISTRIBUTOR BELT	P17ST
OPRA00155	OUTFEED BELT	P17ST
OPRA00019	OUTFEED BELT, 1M	ALL
OPRA00300	OUTFEED BELT, 2M	ALL
OPRA00025-620	DELIVERY BELT	ALL

---

## 10 MALFUNCTIONS

---

**WARNING:** The machine must be isolated from the power supply before attempting any work on it.

Problem	Check
<b>The machine will not start</b>	Check the electric power supply. Check the thermal cut-out. Check that the emergency stop button has not been activated. Check that the start button has been operated.
<b>The motor is humming but will not start</b>	Check the power supply, a phase may be down.
<b>The chain jumps and creaks</b>	Check chain tension. Check for correct lubrication. Check the condition of sprockets.
<b>Troughs do not invert</b>	Check troughs are not distorted. Check the inverting cam.



Should the problem persist, please contact your technician.

---

## 11 MANUAL UNLOADING OF TROUGHS

---

In the event of a power failure, you can unload the troughs manually:

- A. Remove the protective panel to gain access to the motor (fig.4, n°21).
  
- B. Remove the M8 screw and washer (fig.4, n°22).  
Unscrew the M6 setscrew located in the hub of the 17-tooth sprocket (fig.4, n°25) in order to release the drive (fig.4, n°23). Fit the ratchet supplied with your machine into its socket (fig.4, n°26) and remove the drive collar (fig.4, n°24) by turning the ratchet in either direction.

Once the drive collar has been removed, you can turn the ratchet to enable you to unload the troughs manually, as you see fit.

Once the tray proofer has been emptied completely, the parts must be reassembled by reversing the operating procedure and ensuring that one trough is in the inverted position before refitting the drive collar into its original location. Turn the ratchet as many times as necessary to achieve this positioning.



**If this procedure is not followed, the loading position of the dough pieces in the trough (at the distributor) will be incorrect.**

---

## 12 LIST OF COMPONENTS IN ILLUSTRATIONS

---

Figure	Item	Description
1	1	Air extractor
	2	Flour dispenser
	3	Photoelectric cell
	4	Loading area
	5	Unloading area
	6	Control panel
	7	Stabilisers
	8	Waste tray
2	9	Air extractor
	10	Trough drive motor
	11	Flour dispenser motor
3	12	Emergency stop button
	13	Proofer: loading/unloading
	14	Speed setting
	15	Main isolator switch
	16	General start
	17	Auto cycle start
	18	Auto cycle stop
	19	Moulder manual/auto
	20	UV switch
	21	Volumetric divider oil low
	22	Dough piece counter
23	Rounder start	
4	24	Setting area
6	25	Pictogram indicating an electrocution hazard





<b>1</b>	<b>AVANT LA MISE EN SERVICE.....</b>	<b>18</b>
<b>2</b>	<b>GARANTIE.....</b>	<b>18</b>
<b>3</b>	<b>AVERTISSEMENTS .....</b>	<b>19</b>
<b>4</b>	<b>CARACTERISTIQUES TECHNIQUES.....</b>	<b>20</b>
4.1	Caractéristiques techniques.....	20
4.2	Détail des matériaux en contact direct avec la pâte.....	21
<b>5</b>	<b>INSTALLATION ET MISE EN SERVICE.....</b>	<b>21</b>
5.1	Déconditionnement de la machine .....	21
5.2	Emplacement .....	21
5.3	Raccordement électrique.....	21
5.4	Mise en service .....	22
5.5	Danger .....	22
<b>6</b>	<b>ORGANE DE COMMANDE ET DE SECURITE .....</b>	<b>22</b>
6.1	Organe de commande.....	22
6.2	Zone de travail .....	22
<b>7</b>	<b>UTILISATION.....</b>	<b>22</b>
<b>8</b>	<b>ENTRETIEN.....</b>	<b>23</b>
8.1	Journalier par un utilisateur formé .....	23
8.2	Hebdomadaire par un utilisateur formé.....	23
8.3	Annuel par un agent agréé .....	23
<b>9</b>	<b>CONSOMMABLES.....</b>	<b>24</b>
9.1	Liste des CONSOMMABLES.....	24
<b>10</b>	<b>INCIDENTS DE FONCTIONNEMENT .....</b>	<b>25</b>
<b>11</b>	<b>DECHARGEMENT MANUEL DES AUGES .....</b>	<b>26</b>
<b>12</b>	<b>LISTE DES COMPOSANTS SUR LES FIGURES.....</b>	<b>27</b>

---

## 1 AVANT LA MISE EN SERVICE

---

Merci d'avoir choisi une solution JAC. Veuillez impérativement lire ce mode d'emploi avant d'installer et de mettre en service cette machine. Vous pourrez ainsi vous protéger et éviter de détériorer votre machine.

Cette notice fait référence à différentes figures afin de faciliter la compréhension des instructions. Ces figures se trouvent en fin de notice. Veuillez vous y référer dès que vous rencontrez les symboles suivants (fig.x, n°y).

**Pour que votre machine vous donne entière satisfaction au cours des prochaines années, nous vous invitons à prendre connaissance des conseils suivants :**

- Faites-vous aider par votre agent agréé pour l'installation, la mise en service et le suivi.
- Afin de pouvoir bénéficier de la garantie de 5 ans (voir conditions reprises ci-après), faites compléter le carnet d'entretien par votre distributeur lors de l'installation de votre machine. Ce carnet d'entretien se trouve à l'arrière de votre machine.

---

## 2 GARANTIE

---



**JAC offre une garantie de 5 ans sur tous ses produits.**

Cette garantie est valable sur toutes les pièces de votre machine, pièces électroniques incluses, hors consommables. La garantie prend effet à la date d'installation du matériel.

**Sous les conditions restrictives suivantes :**

- matériel acquis auprès d'un revendeur agréé ;
- installation effectuée par un agent agréé ;
- utilisation du matériel conformément aux indications du mode d'emploi et dans le but pour lequel il a été fabriqué ;
- matériel quotidiennement entretenu conformément aux indications du mode d'emploi ;
- entretiens suivis par l'agent agréé conformément aux spécifications d'entretien avec, au minimum, un entretien par an (entretien à charge de l'utilisateur) ;
- utilisation exclusive des pièces d'origine JAC.



**S'il n'y a pas de suivi d'entretien par un agent agréé et/ou que le carnet d'entretien n'est pas correctement complété, la garantie se limite à un an.**

**Cette garantie ne couvre pas :**

- le remplacement des consommables (§9) ;
- les pièces non reconnues défectueuses par nos services ;
- les problèmes résultant d'une utilisation anormale du matériel ;
- les problèmes résultant d'une installation non effectuée par un agent agréé ;
- les pièces ou les problèmes résultant d'un dégât de transport ou d'une manutention inappropriée.

**Une réparation et/ou un remplacement de pièces défectueuses effectué(es) durant la période de garantie n'a (n'ont) pas pour effet de prolonger ladite garantie.**

### 3 AVERTISSEMENTS

---

Il est très important que cette notice d'utilisation soit conservée avec l'appareil pour toute future consultation. Si cet appareil devait être vendu ou transféré à une autre personne, assurez-vous que la notice d'utilisation soit remise de façon à ce que l'utilisateur puisse être informé de son fonctionnement et des avertissements s'y rapportant.



**Ces avertissements sont donnés pour votre sécurité et pour celle d'autrui. Nous vous prions donc de bien vouloir les lire attentivement avant d'installer et d'utiliser l'appareil.**

Cette machine a été conçue pour être utilisée par des adultes autorisés. Veillez donc à ce que les enfants n'y touchent pas ou qu'ils ne l'utilisent pas comme un jouet.

Cette machine est exclusivement réservée à un usage professionnel.

Il est dangereux de modifier ou d'essayer de modifier les caractéristiques de cette machine.

Après l'installation de cette machine, assurez-vous qu'elle ne repose pas sur le câble d'alimentation.

Suivez les instructions données pour l'utilisation.

Cette machine doit être stockée et utilisée à l'intérieur, dans un local à l'abri de l'humidité et de la chaleur.

Cette machine doit être suffisamment éclairée pour effectuer le travail.

Cette machine a un niveau sonore inférieur à 75 dB(A), suivant la norme EN ISO 3744.

Cette machine doit être utilisée par une seule personne à la fois (sauf prescription contraire).



**Toujours débrancher la prise de courant avant de procéder au nettoyage intérieur/extérieur de l'appareil et aux opérations de maintenance.**

Cet appareil est lourd. Prenez toutes les précautions de sécurité lors de sa manutention.

## 4 CARACTERISTIQUES TECHNIQUES

### 4.1 Caractéristiques techniques

	P12ST	P17ST
Hauteur (mm)	2284	2280
Largeur (mm)	1510	2010
Profondeur (mm)	1753	1753
Longueur des auges (mm)	1220	1720
Largeur des auges (mm)	130	130
Nombre total d'auges	80	
Colisage (mm)	2120 x 1710 x 1465	2455 x 1925 x 1465
Poids net (kg)	655	809
Poids NET + emballage (kg)	825	1009
Puissance moteur (kW)	0,72	
Type moteur	Triphasé	
380v - 50Hz (A)		
Déchargement	Intérieur / Extérieur	
Type de sortie	Droit / Gauche	
Positionnement de la peseuse	Frontal / Latéral	
Matière des auges	ArconeT	

OPTIONS	
Lampe germicide	incluse
Extracteurs	inclus
Tapis de déchargement extérieur	inclus
Bouleuse réglable	incluse
Tapis d'évacuation rétractable	inclus
By-pass	option
Tapis d'évacuation long rétractable	option

PAS DE 4 (Poids maxi des pâtons : 600 g) Largeur des auges : 130 mm – Nombre d'auges utiles : 59				
Nombre de pâtons	Nombre par auge	Temps de repos en minutes		
		Vitesse 1 (960 p/h)	Vitesse 2 (1200 p/h)	Vitesse 3 (1400 p/h)
236	4	15	12	10
295	5	18	15	13
413	7	26	21	18

PAS DE 5 (Poids maxi des pâtons : 950 g) Largeur des auges : 160 mm – Nombre d'auges utiles : 63				
Nombre de pâtons	Nombre par auge	Temps de repos en minutes		
		Vitesse 1 (960 p/h)	Vitesse 2 (1200 p/h)	Vitesse 3 (1400 p/h)
141	3	8	7	6
188	4	12	9	8
235	5	15	12	10
329	7	21	17	10

#### 4.2 Détail des matériaux en contact direct avec la pâte

**Tapis bouleuse** : Laine

**Tapis répartiteur** : Laine / Synthétique

**Auges** : Arconet

**Tapis de déchargement** : Bande Arcot

---

## 5 INSTALLATION ET MISE EN SERVICE

---

### 5.1 Déconditionnement de la machine

Le déconditionnement, de même que le montage et la mise en route, sont assurés par un technicien JAC.

**Après déballage de la machine, vérifier qu'elle n'a pas subi de dommages pendant le transport. Nous signaler toute anomalie.**

### 5.2 Emplacement

Pour obtenir d'excellentes performances et une fiabilité à long terme, choisir un emplacement :

Bien ventilé, à l'abri du rayonnement solaire direct et éloigné des sources de chaleur, avec une surface plane et robuste exempte de vibrations.

### 5.3 Raccordement électrique

**IMPORTANT** : Mise à la terre obligatoire.

Il est conseillé de protéger l'installation avec un fusible et un disjoncteur différentiel.

Votre installation électrique alimentant la machine doit être protégée comme indiqué ci-dessous :

- Amérique du Nord : Protection 15A ;

- Reste du monde : Protection 16A.

Pour les machines équipées d'un variateur, celles-ci doivent être impérativement raccordées à une boîte de dérivation sur une ligne équipée d'un différentiel de 300mA.

Note : Tout problème résultant d'un autre type de raccordement ne sera pas pris en compte par la garantie.

Avant de connecter la machine au réseau et afin d'éviter une mise hors service du moteur à la mise sous tension, il est important de vérifier la concordance du réseau d'alimentation avec les caractéristiques de la machine (voir plaque signalétique de celle-ci).

Cet appareil est conforme aux Directives Machines 2006/42, 2006/95, 2004/108 et porte le marquage CE attestant cette conformité.

Veuillez prendre connaissance des pictogrammes de sécurité figurant sur la machine :



Pictogramme signalant un risque d'électrocution. Veuillez débrancher la machine avant toute intervention sur celle-ci. Vous retrouverez ce pictogramme sur le panneau de commande qui fait office de boîtier électrique (fig.5, n°27).

Vous trouverez le schéma électrique de la machine à l'intérieur du coffret électrique (fig.5, n°27).

#### **5.4 Mise en service**

Avant la mise en service, s'assurer de l'absence de tout objet parasite sur les parties en mouvement de la machine.

S'assurer tout d'abord (après vérification des concordances électriques) que les moteurs tournent dans le bon sens ; il faut pour cela que les auges avancent dans le bon sens (sinon, inverser 2 phases au niveau du moteur).

Pour l'utilisation de la machine, se reporter au chapitre « Utilisation ».

#### **5.5 Danger**

En cas de danger pour l'utilisateur ou pour la machine, utiliser l'interrupteur général pour couper l'alimentation de la machine.

Retirer la fiche de la prise électrique avant toute opération de maintenance et d'entretien.

Toute opération de maintenance ou de remplacement de pièce doit être effectuée par un agent agréé.

---

## **6 ORGANE DE COMMANDE ET DE SECURITE**

---

### **6.1 Organe de commande**

Votre machine est équipée de série d'un pupitre de commande mécanique (fig.1, n°3).

### **6.2 Zone de travail**

La zone de réglage et de travail se situe au niveau du pupitre de commande de la machine (fig.2, n°10).

---

## **7 UTILISATION**

---

**En début de journée, mettre la machine sous tension à l'aide de l'interrupteur général (fig.1, n°6).**

On distingue plusieurs modes de fonctionnement :

*Mode « automatique » :*

Ce mode est destiné à travailler avec la peseuse et avec ou sans la façonneuse. Vous pouvez dans ce mode charger la chambre à l'aide de la peseuse, et décharger simultanément les pâtons dans la façonneuse.

*Mode « manuel » :*

Ce mode est destiné à travailler sans la peseuse et avec la façonneuse. Vous pouvez dans ce mode décharger les pâtons situés à l'intérieur de la chambre de repos dans la façonneuse.



### **Procédure en mode automatique**

- A. Mettre le groupe sous tension à l'aide de l'interrupteur général placé sur le coffret électrique (fig.1, n°6).
- B. Appuyer sur le bouton blanc de « marche générale » (fig.3, n°12).
- C. Régler la peseuse et la façonneuse suivant les indications se trouvant dans leur notice respective.
- E. Placer l'interrupteur sur « pain ou baguette » (fig.3, n°16).
- F. Placer l'interrupteur « Chambre » sur « Automatique » (fig.3, n°15).
- G. Placer l'interrupteur « Peseuse » sur « 1 » (fig.3, n°17).
- H. Placer l'interrupteur « Façonneuse » sur « Automatique » (fig.3, n°18).
- I. Appuyer sur le bouton vert « Marche cycle auto » (fig.3, n°13).

Le bouton rouge (fig.3, n°14) permet d'arrêter un cycle en cours (la façonneuse s'arrête de façon temporisée afin d'évacuer le ou les pâton(s)).

Lorsqu'il n'y a plus de pâte à l'intérieur de la trémie

- M. Appuyer sur le bouton rouge « Arrêt cycle auto » (fig.3, n°14).
- N. Placer l'interrupteur « Peseuse » sur « 0 » (fig.3, n°17).
- O. Recommencer les étapes à partir du point C.

### **Procédure en mode manuel**

- A. Placer l'interrupteur « Chambre » sur « manuel » (fig.3, n°15).
- B. Placer l'interrupteur « Peseuse » sur « 0 » (fig.3, n°17).
- C. Placer l'interrupteur « Façonneuse » sur « Automatique » (fig.3, n°18).
- D. Appuyer sur le bouton vert « Marche cycle auto » (fig.3, n°13).

Le bouton rouge (fig.3, n°14) permet d'arrêter un cycle en cours (la façonneuse s'arrête de façon temporisée afin d'évacuer le ou les pâton(s)).

### **Fonctionnalités des autres boutons de commande**

- L'interrupteur UV (fig.3, n°20) permet d'activer le cycle Ultra-Violet (ce mode s'arrête automatiquement au bout de 30 minutes).
- L'interrupteur « Tapis d'évacuation » (fig.3, n°19) permet d'activer ou de désactiver la mise en route de celui-ci.

---

## **8 ENTRETIEN**

---

### **8.1 Journalier par un utilisateur formé**

Nettoyer le bac à résidus (fig.1, n°4, 5).  
Démarrer le cycle UV (fig.3, n°20).

### **8.2 Hebdomadaire par un utilisateur formé**

Nettoyer l'intérieur et l'extérieur de la machine (chiffon sec, pinceau, aspirateur).

### **8.3 Annuel par un agent agréé**

Vérifier et ajuster la tension de la chaîne.  
Lubrifier les articulations des chaînes.  
Lubrifier la chaîne moteur.

---

## 9 CONSOMMABLES

---

Lors d'une commande d'une pièce de rechange, vérifier avec votre agent agréé de quelle pièce il s'agit sur la base du catalogue de pièces de rechange émis par le fabricant.  
Toujours préciser le numéro de machine comme indiqué sur la plaque signalétique.  
Votre agent effectue les commandes auprès de JAC.

### 9.1 Liste des CONSOMMABLES

REFERENCE	NOUVEAU LIBELLE	MODELE
LAMPE GERMICIDE	LAMPE GERMICIDE	TOUTES
OPRA00020	LAME RACLEUR	TOUTES
OPRA00025-412	AUGE ARCONET-T	P12ST
OPRA00025-417	AUGE ARCONET-T	P17ST
OPRA00025-512	AUGE LARGE ARCONET-T	P12ST
OPRA00025-517	AUGE LARGE ARCONET-T	P17ST
OPRA00015	COURSIER BOULEUSE	P12ST
OPRA00016	COURSIER REPARTITEUR	P12ST
OPRA00017	COURSIER EVACUATION	P12ST
OPRA00018	COURSIER EVACUATION INTERIEUR	TOUTES
OPRA00200	COURSIER EVACUATION EXTERIEUR	TOUTES
OPRA00152	COURSIER BOULEUSE	P17ST
OPRA00151	COURSIER REPARTITEUR	P17ST
OPRA00155	COURSIER EVACUATION	P17ST
OPRA00019	COURSIER EVACUATION 1M	TOUTES
OPRA00300	COURSIER EVACUATION 2M	TOUTES
OPRA00025-620	TAPIS RECEPTION	TOUTES



---

## 10 INCIDENTS DE FONCTIONNEMENT

---

**ATTENTION :** La machine doit obligatoirement être mise hors tension pour toute intervention.

Problème	Vérification
<b>La machine ne se met pas en route</b>	Vérifier l'alimentation électrique Vérifier le relais thermique Vérifier si le bouton d'arrêt d'urgence n'est pas enclenché Vérifier si le bouton marche est actionné
<b>Le moteur ronronne mais ne démarre pas</b>	Vérifier l'alimentation, il manque peut-être une phase
<b>La chaîne saute et craque</b>	Vérifier la tension de la chaîne Contrôler le bon graissage Vérifier l'état des pignons
<b>Les auges ne se retournent pas</b>	Vérifier que les auges ne sont pas déformées Vérifier la came de retournement



Si le problème persiste, veuillez contacter votre technicien.

---

## 11 DECHARGEMENT MANUEL DES AUGES

---

En cas de panne d'électricité, pour décharger les auges manuellement, il vous suffit à l'aide de :

- A. Démonter la tôle de protection pour accéder au moteur (fig.4, n°21).
- B. Retirer la vis M8 et sa rondelle (fig.4, n°22).  
Dévisser la vis sans tête M6 se trouvant sur le moyeu du pignon 17 dents (fig.4, n°25) afin de libérer la transmission (fig.4, n°23). Placer le cliquet livré avec la machine sur la douille (fig.4, n°26) et retirer la bague d'entraînement (fig.4, n°24) en faisant tourner le cliquet d'un sens ou d'un autre.

Une fois la bague d'entraînement retirée, le cliquet tourne à l'envi pour permettre de décharger les auges manuellement.

Une fois la balancelle totalement vidée, il faut effectuer le remontage en sens inverse du mode opératoire, en s'assurant qu'une auge se trouve bien en position de retournement avant de remettre la bague d'entraînement dans son logement initial. Tourner le cliquet autant de fois qu'il faut pour atteindre ce positionnement.



**Si cette procédure n'est pas respectée, la position de chargement des pâtons dans l'auge (au niveau du répartiteur) ne sera pas correcte.**

## 12 LISTE DES COMPOSANTS SUR LES FIGURES

Figure	Bulle	Nom
1	1	Extracteur d'air
	2	Farineur
	3	Cellule photoélectrique
	4	Zone de chargement
	5	Zone de déchargement
	6	Pupitre de commande
	7	Pieds de stabilisation
	8	Bac à déchets
2	9	Extracteur d'air
	10	Moteur de mouvement des auges
	11	Moteur du farineur
3	12	Bouton d'arrêt d'urgence
	13	Chambre : chargement/déchargement
	14	Réglage de la vitesse
	15	Interrupteur général
	16	Marche générale
	17	Marche cycle auto
	18	Arrêt cycle auto
	19	Façonneuse manuelle/auto
	20	Interrupteur UV
	21	Peseuse huile bas
	22	Compteur de pâtons
23	Mise en marche de la bouleuse	
4	24	Zone de réglage
6	25	Pictogramme signalant un risque d'électrocution



<b>1</b>	<b>VOR DER INBETRIEBNAHME .....</b>	<b>30</b>
<b>2</b>	<b>GARANTIE.....</b>	<b>30</b>
<b>3</b>	<b>WARNHINWEISE .....</b>	<b>31</b>
<b>4</b>	<b>TECHNISCHE DATEN.....</b>	<b>32</b>
4.1	Technische Daten .....	32
4.2	Materialien der Teile, die in Kontakt mit dem Schnittgut kommen .....	33
<b>5</b>	<b>INSTALLATION UND INBETRIEBNAHME.....</b>	<b>33</b>
5.1	Auspacken der Maschine: .....	33
5.2	Aufstellung: .....	33
5.3	Anschluss an die Stromversorgung: .....	33
5.4	Inbetriebnahme: .....	34
5.5	Gefahr: .....	34
<b>6</b>	<b>BEDIENELEMENT UND SICHERHEITSVORRICHTUNG.....</b>	<b>34</b>
6.1	Bedienelement: .....	34
6.2	Arbeitsbereich: .....	34
<b>7</b>	<b>BEDIENUNG.....</b>	<b>34</b>
<b>8</b>	<b>INSTANDHALTUNG.....</b>	<b>35</b>
8.1	Taglich durch einen eingewiesenen Bediener: .....	35
8.2	Wochentlich durch einen eingewiesenen Bediener: .....	35
8.3	Jahrlich durch einen zugelassenen Vertreter: .....	35
<b>9</b>	<b>ERSATZTEILE.....</b>	<b>36</b>
9.1	ERSATZTEILLISTE .....	36
<b>10</b>	<b>STORUNGEN UND FEHLER.....</b>	<b>37</b>
<b>11</b>	<b>MANUELLE ENTLADUNG DER TROGE.....</b>	<b>38</b>
<b>12</b>	<b>LISTE DER ABGEBILDETEN TEILE UND FUNKTIONEN .....</b>	<b>39</b>

---

## 1 VOR DER INBETRIEBNAHME

---

Vielen Dank, dass Sie sich für ein Gerät von JAC entschieden haben. Bitte lesen Sie diese Bedienungsanleitung vor der Installation und Inbetriebnahme dieser Maschine aufmerksam durch. Dies dient zu Ihrer Sicherheit und zum Schutz der Maschine vor Schäden.

Diese Bedienungsanleitung enthält Verweise auf verschiedene Abbildungen, die das Verständnis der Anleitungen erleichtern. Die Abbildungen befinden sich am Schluss der Bedienungsanleitung. Bitte schlagen Sie die jeweilige Abbildung anhand des angegebenen Verweises (Fig. X, Nr. Y) nach.

**Damit Sie sich viele Jahre an dieser Maschine erfreuen können, möchten wir Sie bitten, die folgenden Hinweise zu berücksichtigen:**

- Lassen Sie sich bei der Installation, der Inbetriebnahme und der weiteren Nutzung von Ihrem zugelassenen Vertreter unterstützen.

- Um die Garantie von fünf Jahren (siehe nachfolgende Garantiebestimmungen) in Anspruch nehmen zu können, lassen Sie bitte von Ihrem Vertriebshändler bei der Installation Ihrer Maschine das Wartungsheft ausfüllen. Das Wartungsheft befindet sich an der Rückseite Ihrer Maschine.

---

## 2 GARANTIE

---



**JAC bietet auf alle seine Produkte eine Garantie von fünf Jahren.**

Diese Garantie erstreckt sich auf alle Teile Ihrer Maschine, auch auf die elektronischen Bauteile, außer Verschleißteile. Die Garantiefrist beginnt zum Zeitpunkt der Installation der Anlage.

**Es gelten die folgenden Beschränkungen:**

- Das Produkt wurde bei einem zugelassenen Vertragshändler erworben.
- Die Installation wurde von einem zugelassenen Vertreter vorgenommen.
- Das Produkt wurde im Rahmen seines bestimmungsgemäßen Gebrauchs und entsprechend der Bedienungsanleitung verwendet.
- Das Produkt wurde täglich entsprechend den Vorgaben der Bedienungsanleitung instandgehalten.
- Die Wartung wird durch einen zugelassenen Vertreter entsprechend den Wartungsvorgaben durchgeführt und findet mindestens einmal jährlich statt (auf Kosten des Anwenders).
- Es werden ausschließlich Originalersatzteile von JAC verwendet.



**Sofern keine Wartung durch einen zugelassenen Vertreter erfolgt bzw. das Wartungsheft nicht ordnungsgemäß ausgefüllt ist, ist die Garantie auf ein Jahr begrenzt.**

**Diese Garantie deckt nicht:**

- den Ersatz von Verschleißteilen (siehe Abschnitt 9);

- Teile, die unser Kundendienst nicht als defekt anerkennt;
- Probleme, die sich aus einer ungewöhnlichen Nutzung des Produktes ergeben;
- Probleme, die darauf zurückzuführen sind, dass die Installation nicht durch einen zugelassenen Vertreter durchgeführt wurde;
- Beschädigungen oder Probleme, die auf einen Transportschaden oder auf die unsachgemäße Handhabung des Produktes zurückzuführen sind.

**Die Durchführung einer Reparatur und/oder der Ersatz defekter Teile während der Garantiefrist führen nicht zur Verlängerung der Garantiefrist.**

---

### **3 WARNHINWEISE**

---

Bitte bewahren Sie diese Bedienungsanleitung unbedingt mit Ihrem Gerät zum späteren Nachlesen auf. Bei Verkauf oder Weitergabe Ihres Gerätes übergeben Sie bitte diese Bedienungsanleitung an den neuen Besitzer bzw. Benutzer, damit dieser über die Funktionsweise des Gerätes und die Warnhinweise informiert ist und diese befolgen kann.



**Diese Warnhinweise dienen zu Ihrer Sicherheit und der Sicherheit anderer. Bitte lesen Sie die Warnhinweise vor der Installation und Verwendung Ihres Gerätes aufmerksam durch.**

Diese Maschine ist für die Verwendung durch befugte erwachsene Personen bestimmt. Stellen Sie sicher, dass die Maschine nicht von Kindern berührt oder als Spielzeug benutzt wird.

Diese Maschine ist ausschließlich für den professionellen Einsatz vorgesehen.

Eine Modifizierung bzw. versuchte Modifizierung der Eigenschaften und Merkmale dieser Maschine ist gefährlich.

Stellen Sie nach der Installation dieser Maschine sicher, dass diese nicht auf dem Netzkabel steht.

Befolgen Sie stets die Anleitungen zur Bedienung und Verwendung.

Die Maschine ist in einem Innenraum und gegen Feuchtigkeit und Hitze geschützt aufzustellen.

Die Maschine muss zur Durchführung der Arbeiten ausreichend ausgeleuchtet sein.

Der Geräuschpegel der Maschine liegt unter 75 dB(A) und entspricht damit der EN ISO 3744.

Die Maschine darf nicht von mehreren Personen gleichzeitig benutzt werden (es sei denn, die Anleitung gibt etwas Anderes vor).



**Vor Reinigungsarbeiten innen und außen am Gerät und vor Wartungsarbeiten immer den Netzstecker ziehen.**

Dieses Gerät ist sehr schwer. Beim Transport und Bewegen des Gerätes sind angemessene Vorsichtsmaßnahmen zu ergreifen.

## 4 TECHNISCHE DATEN

### 4.1 Technische Daten

	P12ST	P17ST
Höhe (mm)	2284	2280
Breite (mm)	1510	2010
Tiefe (mm)	1753	1753
Länge der Tröge (in cm)	1220	1720
Breite der Tröge (in cm)	130	130
Gesamtanzahl der Tröge	80	
Verpackungsmaße (mm)	2120x1710x1465	2455x1925x1465
Nettogewicht (kg)	655	809
Nettogewicht + Verpackung (kg)	825	1009
Motorleistung (kW)	0.72	
Motortyp	dreiphasig	
380 V - 50 Hz (A)		
Austrag	innen / außen	
Art des Austrags	rechts / links	
Positionierung des Abwiegens	vorn / seitlich	
Trogmaterial	ArconT	

OPTIONEN	
Keimtötende Lampe	inbegriffen
Abzüge	inbegriffen
Externes Austragsband	inbegriffen
Einstellbare Rundwirksamchine	inbegriffen
Ausziehbares Austragsband	inbegriffen
Bypass	Option
Langes, ausziehbares Austragsband	Option

### 4.2

VIERER-SCHRITTE (max. Gewicht der Teiglinge): 600 g Breite der Tröge: 130 mm-Gesamtanzahl der nutzbaren Tröge 59				
Anzahl der Teiglinge	Anzahl pro Trog	Gärzeit (in min.)		
		Geschwindigkeit 1 (960 Stück/h)	Geschwindigkeit 2 (1200 Stück/h)	Geschwindigkeit 3 (1400 Stück/h)
236	4	15	12	10
295	5	18	15	13
413	7	26	21	18

FÜNFER-SCHRITTE (max. Gewicht der Teiglinge): 950 g Breite der Tröge: 160mm-Gesamtanzahl der nutzbaren Tröge 63				
Anzahl der Teiglinge	Anzahl pro Trog	Gärzeit (in min.)		
		Geschwindigkeit 1 (960 Stück/h)	Geschwindigkeit 2 (1200 Stück/h)	Geschwindigkeit 3 (1400 Stück/h)
141	3	8	7	6
188	4	12	9	8
235	5	15	12	10
329	7	21	17	10



## 4.2 Materialien der Teile, die in Kontakt mit dem Schnittgut kommen

**Rundwirkband:** Wolle

**Teilungsband:** Wolle / Synthetik

**Tröge:** Arconet

**Austragsband:** Arcot

---

## 5 **INSTALLATION UND INBETRIEBNAHME**

---

### 5.1 Auspacken der Maschine:

Das Entpacken, die Montage und Inbetriebnahme werden von einem JAC-Techniker vorgenommen.

**Die Maschine nach dem Auspacken auf Transportschäden überprüfen. Melden Sie uns bitte alle Fehler und Schäden.**

### 5.2 Aufstellung:

Um eine hohe Leistung, eine lange Lebensdauer und einen zuverlässigen Betrieb sicherzustellen, sollte der Aufstellort wie folgt beschaffen sein:

Gut belüftet, vor direkter Sonneneinstrahlung geschützt, in ausreichender Entfernung zu Wärmequellen, mit ebenem, tragfähigen und schwingungsfreien Boden.

### 5.3 Anschluss an die Stromversorgung:

**WICHTIG:** Die Erdung der Maschine ist vorgeschrieben.

Wir empfehlen den Schutz der Anlage durch eine Sicherung und einen FI-Schutzschalter.

Ihr Stromnetz zur Versorgung der Maschine muss folgendermaßen geschützt werden:

- Nordamerika: Schutz 15 A;

- Rest der Welt: Schutz 16 A.

Maschinen mit Stromrichter müssen zwingend über einen FI-Schutzschalter für 300 mA angeschlossen werden.

Hinweis: Probleme und Störungen, die sich durch abweichende Ausführung des Anschlusses ergeben, sind nicht durch die Garantie gedeckt.

Prüfen Sie vor dem Anschließen der Maschine an das Stromnetz unbedingt, ob die Stromversorgung für die Maschine geeignet ist (siehe Angaben auf dem Typenschild), um einen Motorausfall beim Einschalten zu vermeiden.

Dieses Gerät entspricht den Maschinenrichtlinien 2006/42, 2006/95, 2004/108 und ist daher mit dem CE-Zeichen gekennzeichnet.

Bitte beachten Sie die an der Maschine angebrachten Warnsymbole:



Warnsymbol zur Anzeige der Gefahr eines tödlichen Stromschlags. Die Maschine vor jedem Eingriff vom Stromnetz nehmen. Dies befindet sich auf dem Bedienelement, das auch als Schaltschrank verwendet wird. (Fig. 5, Nr. 27) Der Schaltplan der Maschine befindet sich im Schaltschrank (Fig. 5, Nr. 27).

#### **5.4 Inbetriebnahme:**

Vor der Inbetriebnahme sicherstellen, dass sich keine Fremdkörper auf den beweglichen Teilen der Maschine befinden.

Zunächst (nach Überprüfung der elektrischen Übereinstimmung) sicherstellen, dass die Motoren in die richtige Richtung drehen. Dazu müssen die Tröge in die richtige Richtung bewegt werden (andernfalls zwei Phasen des Motors umkehren).

Weitere Informationen zur Verwendung der Maschine erhalten Sie im Abschnitt „Bedienung“.

#### **5.5 Gefahr:**

Bei einer Gefahr für den Anwender oder die Maschine ist die Maschine über den Hauptschalter auszuschalten.

Vor Wartungs- oder Instandsetzungsmaßnahmen den Netzstecker ziehen.

Wartungsmaßnahmen und der Austausch von Ersatzteilen dürfen nur durch einen zugelassenen Vertreter durchgeführt werden.

---

## **6 BEDIENELEMENT UND SICHERHEITSVORRICHTUNG**

---

### **6.1 Bedienelement:**

Ihre Maschine ist serienmäßig mit einem mechanischen Bedienpult ausgestattet (Fig. 1, Nr. 3)

### **6.2 Arbeitsbereich:**

Der Einstell- und Arbeitsbereich befindet sich am Bedienelement (Fig. 2, Nr. 10).

---

## **7 BEDIENUNG**

---

### **Die Maschine bei Tagesbeginn über den Hauptschalter einschalten (Fig. 1, Nr. 6)**

Die Maschine bietet mehrere Betriebsarten:

„Automatik“:

In dieser Betriebsart wird mit dem Abwieger und mit oder ohne Langwirkmaschine gearbeitet. In dieser Betriebsart kann die Kammer über den Teigabwieger beschickt werden, während gleichzeitig die Teiglinge aus der Langwirkmaschine entnommen werden.

„Manuell“:

In dieser Betriebsart wird ohne Teigabwieger und mit der Langwirkmaschine gearbeitet. In dieser Betriebsart können die Teiglinge aus der Gärkammer der Langwirkmaschine entnommen werden.



### **Automatik**

- A. Die Anlage über den Schalter am Schaltschrank einschalten (Fig. 1, Nr. 6).
- B. Auf die weiße Taste „marche générale“ (Hauptbetrieb) drücken (Fig. 3, Nr. 12)
- C. Den Teigabwieger und die Langwirkmaschine entsprechend den Hinweisen aus den dazugehörigen Bedienungsanleitungen einstellen.
- E. Den Schalter auf „pain ou baguette“ (Brot oder Baguette“ stellen (Fig. 3, Nr. 16).
- F. Den Schalter „Chambre“ (Kammer) auf „Automatique“ (Automatik) stellen (Fig. 3, Nr. 15).
- G. Den Schalter „Peseuse“ (Teigabwieger) auf „1“ (Fig. 3, Nr. 17) stellen.
- F. Den Schalter „Façonneuse“ (Langwirkmaschine) auf „Automatique“ (Automatik) stellen (Fig. 3, Nr. 18).
- G. Auf die grüne Taste drücken „Marche cycle auto“ (Automatikbetrieb) (Fig. 3, Nr. 13).

Über die rote Taste (Fig. 3, Nr. 14) kann ein laufender Zyklus unterbrochen werden (die Langwirkmaschine hält so lange an, bis die Teiglinge entnommen sind).

Wenn sich kein Teig mehr im Inneren des Teigabwiegers befindet

- M. Auf die rote Taste drücken „Arrêt cycle auto“ (Automatikbetrieb anhalten) (Fig. 3, Nr. 14).
- N. Den Schalter „Peseuse“ (Teigabwieger) auf „0“ (Fig. 3, Nr. 17) stellen.
- O. Die Schritte ab Punkt C wiederholen.

### **Manuelle Betriebsart**

- A. Den Schalter „Chambre“ (Kammer) auf „manuel“ (Manuell) stellen (Fig. 3, Nr. 15).
- B. Den Schalter „Peseuse“ (Teigabwieger) auf „0“ (Fig. 3, Nr. 17) stellen.
- C. Den Schalter „Façonneuse“ (Langwirkmaschine) auf „Automatique“ (Automatik) stellen (Fig. 3, Nr. 18).
- D. Auf die grüne Taste drücken „Marche cycle auto“ (Automatikbetrieb) (Fig. 3, Nr. 13).

Über die rote Taste (Fig. 3, Nr. 14) kann ein laufender Zyklus unterbrochen werden (die Langwirkmaschine hält so lange an, bis die Teiglinge entnommen sind).

### **Funktionen der weiteren Befehlstasten**

- Über den UV-Schalter (Fig. 3, Nr. 20) wird der UV-Zyklus aktiviert (diese Betriebsart hält automatisch nach 30 Minuten an).
- Über den Schalter „Tapis d'évacuation“ (Austragsband) (Fig. 3, Nr. 19) wird das Austragsband eingeschaltet oder angehalten.

---

## **8 INSTANDHALTUNG**

---

### **8.1 Täglich durch einen eingewiesenen Bediener:**

Den Auffangbehälter (Fig. 1, Nr. 4, 5) reinigen.  
Den UV-Zyklus starten (Fig. 3, Nr. 20).

### **8.2 Wöchentlich durch einen eingewiesenen Bediener:**

Den Innen- und Außenbereich der Maschine reinigen (trockenes Tuch, Pinsel, Staubsauger)

### **8.3 Jährlich durch einen zugelassenen Vertreter:**

Die Kettenspannung überprüfen und anpassen.

Die Kettengelenke schmieren.  
Die Motorkette schmieren.

---

## 9 ERSATZTEILE

---

Um Ersatzteile für Ihre Maschine zu bestellen, lassen Sie von Ihrem Vertreter anhand des Ersatzteilkatalogs des Herstellers prüfen, um welche Teile es sich genau handelt. Dazu immer die Maschinenummer übermitteln, die auf dem Typenschild steht. Ihr Vertreter bestellt das Ersatzteil dann bei JAC.

### 9.1 ERSATZTEILLISTE

TEILENUMMER	NEUES TEXTBLATT	MODELL
ENTKEIMUNGSLAMPE	ENTKEIMUNGSLAMPE	ALLE
OPRA00020	ABSTREIFKLINGE	ALLE
OPRA00025-412	TROG ARCONET-T	P12ST
OPRA00025-417	TROG ARCONET-T	P17ST
OPRA00025-512	BREITER TROG ARCONET-T	P12ST
OPRA00025-517	BREITER TROG ARCONET-T	P17ST
OPRA00015	SCHUSSRINNE RUNDWIRKER	P12ST
OPRA00016	SCHUSSRINNE VERTEILER	P12ST
OPRA00017	SCHUSSRINNE AUSTRAG	P12ST
OPRA00018	INNERE SCHUSSRINNE AUSTRAG	ALLE
OPRA00200	ÄUSSERE SCHUSSRINNE AUSTRAG	ALLE
OPRA00152	SCHUSSRINNE RUNDWIRKER	P17ST
OPRA00151	SCHUSSRINNE VERTEILER	P17ST
OPRA00155	SCHUSSRINNE AUSTRAG	P17ST
OPRA00019	SCHUSSRINNE AUSTRAG 1M	ALLE
OPRA00300	SCHUSSRINNE AUSTRAG 2M	ALLE
OPRA00025-620	AUFNAHMEBAND	ALLE

---

## 10 STÖRUNGEN UND FEHLER

---

**VORSICHT:** Vor allen Eingriffen an der Maschine ist die Maschine zwingend von der Stromversorgung zu trennen.

Problem	Fehlersuche
<b>Die Maschine lässt sich nicht einschalten</b>	Die Stromversorgung überprüfen Das Thermorelais überprüfen Überprüfen, ob der Not-Ausschalter eingeschaltet ist Überprüfen, ob der Hauptschalter eingeschaltet ist
<b>Der Motor macht Geräusche, aber fährt nicht an</b>	Die Versorgung überprüfen - möglicherweise fehlt eine Phase
<b>Die Kette springt und knackt</b>	Die Kettenspannung überprüfen Die Kettenschmierung kontrollieren Den Zustand der Ritzel überprüfen
<b>Die Tröge kippen nicht</b>	Überprüfen, ob die Tröge verformt sind Die Kippnocke überprüfen



Bei Anhalten des Problems wenden Sie sich bitte an Ihren Servicetechniker.

---

## 11 MANUELLE ENTLADUNG DER TRÖGE

---

Bei einem Stromausfall können die Tröge folgendermaßen manuell geleert werden:

- A. Das Schutzblech entfernen, um Zugang zum Motor zu haben (Fig. 4, Nr. 21).
  
- B. Sie M8-Schraube und ihre Unterlegscheibe lösen. (Fig. 4, Nr. 22)  
Den M6-Gewindestift auf der Nabe des Ritzels mit 17 Zähnen (Fig. 4, Nr. 25) entfernen, um das Getriebe freizulegen. (Fig. 4, Nr. 23) Die mit der Maschine mitgelieferte Ratsche an der Gewindehülse (Fig. 4, Nr. 26) ansetzen und den Antriebsring (Fig. 4, Nr. 24) entfernen, indem die Ratsche in eine oder andere Richtung gedreht wird.

Sobald der Antriebsring entfernt wurde, kann die Ratsche dazu verwendet werden, die Tröge manuell zu entladen.

Sobald das Gehänge vollständig entladen ist, erfolgt die erneute Montage in umgekehrter Reihenfolge, wobei darauf zu achten ist, dass die Tröge in der geeigneten Kipposition sitzen, bevor der Antriebsring wieder an der ursprünglichen Stelle montiert wird. Die Ratsche so häufig drehen, bis diese Stellung erreicht ist.



**Wenn diese Anweisung nicht befolgt wird, stimmt die Aufnahmeposition für die Teiglinge im Trog (auf Höhe des Verteilers) nicht.**

## 12 LISTE DER ABGEBILDETEN TEILE UND FUNKTIONEN

Abbildung	Nummer	Bezeichnung
1	1	Luftabzug
	2	Bemehler
	3	photoelektrische Zelle
	4	Aufgabebereich
	5	Entnahmebereich
	6	Bedienelement
	7	StabilisierungsfüÙe
	8	Auffangbehälter
2	9	Luftabzug
	10	Motor zur Bewegung der Tröge
	11	Bemehlermotor
3	12	Not-Aus-Schalter
	13	Kammer: Beschickung/Entnahme
	14	Geschwindigkeitseinstellung
	15	Hauptschalter
	16	Allgemeine Betriebsart
	17	Betriebsart Automatik
	18	Betriebsart Automatik anhalten
	19	Langwirkmaschine manuell/autom.
	20	UV-Schalter
	21	Teigabwieger geringer Ölfüllstand
	22	Zähler Teiglinge
23	Einschalten der Rundwirkmaschine	
4	24	Einstellbereich
6	25	Warnsymbol zur Anzeige der Gefahr eines tödlichen Stromschlags.





<b>1</b>	<b>VÓÓR DE INBEDRIJFSTELLING .....</b>	<b>42</b>
<b>2</b>	<b>GARANTIE.....</b>	<b>42</b>
<b>3</b>	<b>WAARSCHUWINGEN .....</b>	<b>43</b>
<b>4</b>	<b>TECHNISCHE EIGENSCHAPPEN.....</b>	<b>44</b>
4.1	Technische eigenschappen.....	44
4.2	Materiaal dat rechtstreeks in contact komt met het deeg.....	45
<b>5</b>	<b>INSTALLATIE EN INBEDRIJFSTELLING .....</b>	<b>45</b>
5.1	De machine uit de verpakking halen: .....	45
5.2	Plaatsing:.....	45
5.3	Elektrische aansluiting: .....	45
5.4	Inbedrijfstelling:.....	46
5.5	Gevaar: .....	46
<b>6</b>	<b>BEDIENINGS- EN VEILIGHEIDSPANEEL .....</b>	<b>46</b>
6.1	Bedieningspaneel:.....	46
6.2	Werkzone:.....	46
<b>7</b>	<b>GEBRUIK.....</b>	<b>46</b>
<b>8</b>	<b>ONDERHOUD.....</b>	<b>47</b>
8.1	Dagelijks door een opgeleide gebruiker.....	47
8.2	Wekelijks door een opgeleide gebruiker.....	47
8.3	Jaarlijks door een erkende verdeler .....	47
<b>9</b>	<b>VERBRUIKSGOEDEREN.....</b>	<b>48</b>
9.1	Lijst met VERBRUIKSGOEDEREN .....	48
<b>10</b>	<b>STORINGEN .....</b>	<b>49</b>
<b>11</b>	<b>HANDMATIG LOSSEN VAN DE GOTEN.....</b>	<b>50</b>
<b>12</b>	<b>LIJST MET ONDERDELEN OP DE AFBEELDINGEN.....</b>	<b>51</b>

---

## 1 VÓÓR DE INBEDRIJFSTELLING

---

Bedankt dat u hebt gekozen voor een JAC-oplossing. Neem deze gebruikershandleiding grondig door voordat u deze machine installeert en in werking stelt. Zo kunt u uzelf beschermen en schade aan uw machine vermijden.

Deze handleiding verwijst naar diverse afbeeldingen zodat u de instructies beter kunt begrijpen. Deze afbeeldingen bevinden zich op het einde van de handleiding. Raadpleeg ze wanneer u de volgende symbolen tegenkomt (fig.X, n°Y).

**Om nog jarenlang van uw machine te kunnen genieten, raden we u aan om de volgende adviezen na te leven:**

- Doe een beroep op uw erkende verdeler voor de installatie, inbedrijfstelling en opvolging.
- Om te kunnen genieten van de garantie van vijf jaar (zie verder voor de voorwaarden), moet u bij de installatie van uw machine het onderhoudsboekje laten invullen door uw verdeler. Dit onderhoudsboekje bevindt zich aan de achterkant van uw machine.

---

## 2 GARANTIE

---



**JAC biedt een garantie van vijf jaar op al zijn producten.**

Deze garantie is geldig voor alle onderdelen van uw machine, waaronder de elektronische onderdelen, maar uitgezonderd de verbruiksgoederen. De garantie treedt in werking op de installatiedatum van het materiaal.

**Onder de volgende beperkende voorwaarden:**

- Het materiaal moet bij een erkende verdeler zijn aangekocht.
- De installatie moet door een erkende verdeler zijn uitgevoerd.
- Het materiaal moet worden gebruikt in overeenstemming met de aanwijzingen in de gebruikershandleiding en voor het doel waarvoor het werd geproduceerd.
- Het materiaal moet dagelijks worden onderhouden in overeenstemming met de aanwijzingen in de gebruikershandleiding.
- Ten minste één keer per jaar moet onderhoud worden uitgevoerd door de erkende verdeler en dit in overeenstemming met de onderhoudsspecificaties (onderhoud ten laste van de gebruiker).
- Alleen originele JAC-onderdelen mogen worden gebruikt.



**Als er geen onderhoud wordt uitgevoerd door een erkende verdeler en/of het onderhoudsboekje niet correct wordt ingevuld, is de garantie beperkt tot één jaar.**

**Het volgende valt niet onder deze garantie:**

- De vervanging van verbruiksgoederen (§9).
- Defecte stukken die door onze diensten niet worden erkend.
- Problemen ten gevolge van een abnormaal gebruik van het materiaal.
- Problemen doordat de installatie niet door een erkende verdeler is uitgevoerd.
- De onderdelen of problemen die het gevolg zijn van transportschade of een ongepaste behandeling.

**Een reparatie en/of een vervanging van defecte onderdelen tijdens de garantieperiode verlengt deze garantie niet.**

---

### **3 WAARSCHUWINGEN**

---

Het is heel belangrijk dat deze gebruikershandleiding bij het apparaat wordt bewaard zodat ze later kan worden geraadpleegd. Als dit apparaat wordt verkocht of aan een andere persoon wordt overgedragen, zorg er dan voor dat de gebruikershandleiding wordt overhandigd zodat de gebruiker op de hoogte is van de werking ervan en van de daarin vermelde waarschuwingen.



**Deze waarschuwingen worden gegeven voor uw veiligheid en die van anderen. We vragen u dan ook ze aandachtig te lezen voordat u het apparaat installeert en gebruikt.**

Deze machine werd ontworpen om door bevoegde volwassenen te worden gebruikt. Zorg er dus voor dat kinderen de machine niet aanraken en niet als speelgoed beschouwen.

Deze machine is uitsluitend voorbehouden voor professioneel gebruik.

Het is gevaarlijk om de eigenschappen van deze machine te wijzigen of te proberen wijzigen.

Zorg er na de installatie van deze machine voor dat ze niet op het netsnoer staat.

Volg de meegeleverde gebruiksinstructies.

Deze machine moet worden bewaard en gebruikt in een ruimte die niet vochtig of warm wordt.

Deze machine moet voldoende verlicht zijn om het werk uit te voeren.

Deze machine heeft een geluidsniveau van minder dan 75 dB(A) conform de norm EN ISO 3744.

Deze machine mag slechts door één persoon tegelijkertijd worden gebruikt (behoudens tegengestelde instructie).



**Haal altijd de stekker uit het stopcontact voordat u de buiten- of binnenkant van het apparaat schoonmaakt of onderhoud uitvoert.**

Dit apparaat is zwaar. Neem alle veiligheidsmaatregelen tijdens het onderhoud.

## 4 TECHNISCHE EIGENSCHAPPEN

### 4.1 Technische eigenschappen

	P12ST	P17ST
Hoogte (mm)	2284	2280
Breedte (mm)	1510	2010
Diepte (mm)	1753	1753
Lengte van de goten (mm)	1220	1720
Breedte van de goten (mm)	130	130
Totaal aantal goten	80	
Verpakking (mm)	2120x1710x1465	2455x1925x1465
Nettogewicht (kg)	655	809
Nettogewicht + verpakking (kg)	825	1009
Motorvermogen (kW)	0,72	
Motortype	Driefasig	
380 V - 50 Hz (A)		
Afvoer	Intern/Extern	
Type afvoerband	Rechts/Links	
Positionering van de verdeler	Frontaal/Lateraal	
Materiaal van de goten	ArconeT	

OPTIES	
Bacteriëndodende lamp	inclusief
Afzuigers	inclusief
Externe afvoerband	inclusief
Regelbare opboller	inclusief
Intrekbare afvoerband	inclusief
Bypass	optie
Lange intrekbare afvoerband	optie

PLAATS VOOR 4 (max. gewicht van de deegklompen: 600 g) Breedte van de goten: 130 mm – Aantal bruikbare goten: 59				
Aantal deegklompen	Aantal per goot	Rusttijd in minuten		
		Snelheid 1 (960 st./u)	Snelheid 2 (1200 st./u)	Snelheid 3 (1400 st./u)
236	4	15	12	10
295	5	18	15	13
413	7	26	21	18

PLAATS VOOR 5 (max. gewicht van de deegklompen: 950 g) Breedte van de goten: 160 mm – Aantal bruikbare goten: 63				
Aantal deegklompen	Aantal per goot	Rusttijd in minuten		
		Snelheid 1 (960 st./u)	Snelheid 2 (1200 st./u)	Snelheid 3 (1400 st./u)
141	3	8	7	6
188	4	12	9	8
235	5	15	12	10
329	7	21	17	10

#### 4.2 Materiaal dat rechtstreeks in contact komt met het deeg.

**Band van opboller:** Wol

**Verdeelband:** Wol/Synthetisch

**Goten:** Arconet

**Afvoerband:** Arcot-band

---

## 5 **INSTALLATIE EN INBEDRIJFSTELLING**

---

### 5.1 De machine uit de verpakking halen:

De machine wordt door een technicus van JAC uit de verpakking gehaald, gemonteerd en in werking gesteld.

**Na het uitpakken van uw machine moet u nakijken of ze tijdens het transport geen schade heeft opgelopen. Meld ons elke afwijking.**

### 5.2 Plaatsing:

Voor uitstekende prestaties en betrouwbaarheid op lange termijn moet u een plaats kiezen die:

Goed verlucht is, niet blootgesteld is aan direct zonlicht en uit de buurt is van warmtebronnen, met een vlak, stevig en trillingsvrij oppervlak.

### 5.3 Elektrische aansluiting:

**BELANGRIJK:** Verplichte aarding.

Er wordt aangeraden om de installatie te beveiligen met een zekering en differentieelschakelaar.

Uw elektriciteitsinstallatie die stroom levert aan de machine moet als volgt worden beveiligd:

- Noord-Amerika: Beveiliging 15 A

- Rest van de wereld: Beveiliging 16 A

Machines die uitgerust zijn met een regelaar moeten worden aangesloten op een aftakdoos op een lijn die uitgerust is met een differentieelschakelaar van 300 mA.

Opmerking: Elk probleem dat te wijten is aan een andere soort aansluiting wordt niet gedekt door de garantie.

Voordat u uw machine op het net aansluit en om een storing van de motor bij het onder spanning zetten te vermijden, is het belangrijk dat u controleert of het elektriciteitsnet overeenstemt met de eigenschappen van de machine (zie het identificatieplaatje).

Dit apparaat is conform de machinerichtlijnen 2006/42, 2006/95, 2004/108 en draagt de CE-markering die hiervan getuigt.

Neem kennis van de veiligheidspictogrammen op de machine:



Pictogram dat wijst op gevaar voor elektrocutie. Schakel de machine voor elke interventie uit. Deze is terug te vinden op het bedieningspaneel dat dienst doet als elektrische kast (fig.5, n°27).

U vindt het elektrische schema van de machine binnenin de elektrische kast (fig.5, n°27).

#### **5.4 Inbedrijfstelling:**

Zorg er vóór de inbedrijfstelling voor dat er zich geen enkel storend voorwerp bevindt op de bewegende onderdelen van de machine.

Wees er eerst zeker van (na controle van de elektrische overeenstemming) dat de motoren in de juiste richting draaien. Daartoe moeten de goten in de juiste richting lopen (zo niet moet u 2 fasen omkeren op motorniveau).

Raadpleeg het hoofdstuk "Gebruik" voor informatie over het gebruik van de machine.

#### **5.5 Gevaar:**

Als er gevaar is voor de gebruiker of voor de machine, moet u de hoofdschakelaar gebruiken om de stroomtoevoer naar de machine te onderbreken.

Haal de stekker uit het stopcontact voordat u onderhoud uitvoert.

Elk onderhoud of vervanging van een onderdeel moet door een bevoegde verdeler worden uitgevoerd.

---

## **6 BEDIENINGS- EN VEILIGHEIDSPANEEL**

---

### **6.1 Bedieningspaneel:**

Uw machine is standaard uitgerust met een mechanisch bedieningspaneel (fig. 1, n°3).

### **6.2 Werkzone:**

De afstel- en werkzone bevindt zich ter hoogte van het bedieningspaneel van de machine (fig.2, n°10).

---

## **7 GEBRUIK**

---

**Zet de machine overdag onder spanning met de hoofdschakelaar (fig.1, n°6)**

Er zijn verschillende standen:

*'Automatische' stand:*

Deze stand is bedoeld om te werken met de verdeler en met of zonder de vormgever. U kunt in deze stand de kamer laden met behulp van de verdeler en de deegklompen tegelijkertijd lossen in de vormgever.

### *'Manuele' stand:*

Deze stand is bedoeld om te werken zonder verdeler, maar met vormgever. U kunt in deze stand de deegklompen lossen in de binnenkant van de rustkamer in de vormgever.

#### **Procedure in automatische stand**

- A. Schakel de groep in met behulp van de hoofdschakelaar op de elektrische kast (fig.1, n°6).
- B. Druk op de witte knop 'algemene werking' (fig.3, n°12).
- C. Stel uw verdeler en vormgever af volgens de aanwijzingen in hun respectievelijke handleiding.
- E. Plaats de schakelaar op 'brood of baguette' (fig.3, n°16).
- F. Plaats de schakelaar 'Kamer' op 'Automatisch' (fig.3, n°15).
- G. Plaats de schakelaar 'Verdeler' op '1' (fig.3, n°17).
- H. Plaats de schakelaar 'Vormgever' op 'Automatisch' (fig.3, n°18).
- G. Druk op de groene knop 'Automatische cyclus starten' (fig.3, n°13).

Met de rode knop (fig.3, n°14) kunt u een lopende cyclus stoppen (de vormgever stopt tijdelijk zodat u de deegklomp(en) kunt wegnemen).

Wanneer er meer deeg in de trechter zit

- M. Druk op de rode knop 'Automatische cyclus stoppen' (fig.3, n°14).
- N. Plaats de schakelaar 'Verdeler' op '1' (fig.3, n°17).
- O. Herbegint de stappen vanaf punt C.

#### **Procedure in manuelestand**

- A. Plaats de schakelaar 'Kamer' op 'Manueel' (fig.3, n°15).
- B. Plaats de schakelaar 'Verdeler' op '0' (fig.3, n°17).
- C. Plaats de schakelaar 'Vormgever' op 'Automatisch' (fig.3, n°18).
- D. Druk op de groene knop 'Automatische cyclus starten' (fig.3, n°13).

Met de rode knop (fig.3, n°14) kunt u een lopende cyclus stoppen (de vormgever stopt tijdelijk zodat u de deegklomp(en) kunt wegnemen).

#### **Werking van de andere bedieningsknoppen**

- Met de UV-schakelaar (fig.3, n°20) kunt u de Ultraviolette cyclus starten (deze stand stopt automatisch na 30 minuten).
- Met de schakelaar 'Afvoerband' (fig.3, n°19) kunt u de start ervan in- of uitschakelen.

---

## **8 ONDERHOUD**

---

### **8.1 Dagelijks door een opgeleide gebruiker.**

Maak de afvalbak schoon (fig.1, n°4, 5).  
Start de UV-cyclus (fig.3, n°20).

### **8.2 Wekelijks door een opgeleide gebruiker.**

Maak de binnen- en buitenkant van de machine schoon (droge doek, penseel, stofzuiger)

### **8.3 Jaarlijks door een erkende verdeler.**

Controleer de kettingspanning en stel ze af.  
Smeer de kettinggewrichten.  
Smeer de motorketting.

---

## 9 VERBRUIKSGOEDEREN

---

Ga bij de bestelling van een reserveonderdeel met uw verdeler na om welk stuk het gaat op basis van de reserveonderdelencatalogus van de fabrikant.

Geef altijd het machinenummer op zoals vermeld op het identificatieplaatje.

Uw verdeler voert de bestellingen uit bij JAC.

### 9.1 Lijst met VERBRUIKSGOEDEREN

REFERENTIE	NIEUWE OMSCHRIJVING	MODEL
BACTERIËNDODENDE LAMP	BACTERIËNDODENDE LAMP	ALLE
OPRA00020	BLADSCHRAPER	ALLE
OPRA00025-412	GOOT ARCONET-T	P12ST
OPRA00025-417	GOOT ARCONET-T	P17ST
OPRA00025-512	BREDE GOOT ARCONET-T	P12ST
OPRA00025-517	BREDE GOOT ARCONET-T	P17ST
OPRA00015	OPBOLLERBAND	P12ST
OPRA00016	VERDELERBAND	P12ST
OPRA00017	AFVOERBAND	P12ST
OPRA00018	INTERNE AFVOERBAND	ALLE
OPRA00200	EXTERNE AFVOERBAND	ALLE
OPRA00152	OPBOLLERBAND	P17ST
OPRA00151	VERDELERBAND	P17ST
OPRA00155	AFVOERBAND	P17ST
OPRA00019	AFVOERBAND 1 M	ALLE
OPRA00300	AFVOERBAND 2 M	ALLE
OPRA00025-620	TOEVOERBAND	ALLE



---

## 10 STORINGEN

---

**OPGELET:** Bij elke tussenkomst moet de machine verplicht worden uit het stopcontact worden getrokken.

Probleem	Controle
<b>De machine start niet op</b>	Controleer de stroomtoevoer. Controleer het thermische relais. Controleer of de noodstopknop niet is ingeschakeld. Controleer of de startknop is ingedruwd.
<b>De motor ronkt maar start niet op</b>	Controleer de voeding, mogelijk ontbreekt er een fase.
<b>De ketting springt en kraakt</b>	Controleer de kettingspanning. Controleer of ze goed is ingevet. Controleer de staat van de kettingwielen.
<b>De goten draaien zich niet om</b>	Controleer of de goten niet vervormd zijn. Controleer de omkeeras.



Als het probleem zich blijft voordoen, neem dan contact op met uw technicus.

---

## 11 HANDMATIG LOSSEN VAN DE GOTEN

---

In het geval van een stroompanne kunt u de goten handmatig lossen door het volgende te doen:

- C. Demonteer de beschermplaat om toegang te krijgen tot de motor (fig.4, n°21).
  
- D. Schroef M8 en zijn sluitring te verwijderen (fig4, n°22).  
Draai de schroef zonder kop M6 los die zich bevindt op het wielnaaf met 17 tanden (fig.4, n°25) om de transmissie vrij te maken (fig.4, n°23). Plaats de bij uw machine meegeleverde pal op de mof (fig.4, n°26) en verwijder de aandrijfring (fig.4, n°24) door de pal in de ene of de andere richting te draaien.

Zodra de aandrijfring is verwijderd, kunt u de pal draaien zoals u wilt zodat u de goten handmatig kunt lossen.

Zodra de rijskast volledig leeg is, moet het in elkaar zetten in omgekeerde volgorde van de werkmethode gebeuren en moet u er zeker van zijn dat een goot zich goed in de terugkeerpositie bevindt voordat u de aandrijfring in zijn beginpositie plaatst. Draai de pal zo vaak als nodig om deze positie te bereiken.



**Als dit niet wordt gerespecteerd, dan is de laadpositie van de deegklompen in de goot (ter hoogte van de verdeler) niet correct.**

---

**12 LIJST MET ONDERDELEN OP DE AFBEELDINGEN**

---

<b>Afbeelding</b>	<b>Nummer</b>	<b>Naam</b>
1	1	Luchtafzuiger
	2	Bloemstrooier
	3	Fotoelektrische cel
	4	Laadzone
	5	Loszone
	6	Bedieningspaneel
	7	Stabilisatievoeten
	8	Afvalbak
2	9	Luchtafzuiger
	10	Motor voor de beweging van de goten
	11	Motor van de bloemstrooier
3	12	Noodstopknop
	13	Kamer: laden/lossen
	14	Snelheidsregeling
	15	Hoofdschakelaar
	16	Algemene werking
	17	Automatische cyclus starten
	18	Automatische cyclus stoppen
	19	Handmatige/automatische vormgever
	20	UV-schakelaar
	21	Olie verdeler laag
	22	Teller van deegklompen
23	Starten van de opboller	
4	24	Afstelzone
6	25	Pictogram dat wijst op gevaar voor elektrocutie



1	ПЕРЕД ВВОДОМ В ЭКСПЛУАТАЦИЮ .....	54
2	ГАРАНТИЯ.....	54
3	ПРЕДУПРЕЖДЕНИЯ.....	55
4	ТЕХНИЧЕСКИЕ ХАРАКТЕРИСТИКИ .....	56
4.1	Технические характеристики .....	56
5	УСТАНОВКА И ВВОД В ЭКСПЛУАТАЦИЮ .....	57
5.1	Распаковка машины .....	57
5.2	Место установки .....	57
5.3	Электрическое подключение.....	57
5.4	Ввод в эксплуатацию.....	58
5.5	Опасность .....	58
6	ОРГАНЫ УПРАВЛЕНИЯ И ПРЕДОХРАНИТЕЛЬНЫЕ УСТРОЙСТВА .....	58
6.1	Органы управления.....	58
6.2	Рабочая зона.....	58
7	ЭКСПЛУАТАЦИЯ .....	58
8	ТЕХНИЧЕСКОЕ ОБСЛУЖИВАНИЕ.....	60
8.1	Ежедневное, выполняется пользователем, прошедшим подготовку.....	60
8.2	Еженедельное, выполняется пользователем, прошедшим подготовку.....	60
8.3	Ежегодное, выполняется аккредитованным специалистом.....	60
9	РАСХОДНЫЕ МАТЕРИАЛЫ.....	60
9.1	Список РАСХОДНЫХ МАТЕРИАЛОВ .....	60
10	НЕПОЛАДКИ В РАБОТЕ .....	61
11	РУЧНАЯ РАЗГРУЗКА ЛОТКОВ.....	62
12	СПИСОК КОМПЛЕКТУЮЩИХ НА ИЗОБРАЖЕНИЯХ.....	63

## 1 ПЕРЕД ВВОДОМ В ЭКСПЛУАТАЦИЮ

Благодарим за то, что выбрали компанию JAC. Перед установкой машины и ее вводом в эксплуатацию обязательно прочтите настоящее руководство. Таким образом вы сможете защитить себя и избежать повреждений машины.

В настоящем руководстве содержатся ссылки на различные изображения, облегчающие понимание инструкций. Эти изображения находятся в конце руководства. Обращайтесь к ним, когда встретите в тексте обозначения следующего вида: (fig.X, n°Y).

**Для полной удовлетворенности работой машины в будущем предлагаем ознакомиться с поданными ниже правилами.**

- Для установки машины, ее ввода в эксплуатацию и контроля работы обращайтесь к аккредитованному специалисту.

- Чтобы на машину подействовала 5-летняя гарантия (см. необходимые условия далее), дистрибьютор должен заполнить журнал технического обслуживания при установке машины. Журнал технического обслуживания находится с тыльной части машины.

## 2 ГАРАНТИЯ



**Компания JAC предоставляет 5-летнюю гарантию на всю свою продукцию.**

Гарантия распространяется на все детали машины, в том числе электронные, кроме расходных материалов. Гарантия вступает в силу с даты установки оборудования.

**Гарантия действует при соблюдении следующих ограничительных условий:**

- приобретение оборудования у аккредитованного дистрибьютора;
- выполнение установки аккредитованным специалистом;
- использование оборудования в соответствии с указаниями в руководстве по эксплуатации и по назначению, предусмотренному при производстве;
- ежедневное обслуживание оборудования в соответствии с указаниями в руководстве по эксплуатации;
- выполнение технического обслуживания аккредитованным специалистом в соответствии с требованиями по техническому обслуживанию не реже одного раза в год (производится за счет пользователя);
- использование исключительно оригинальных деталей компании JAC.



**При отсутствии контроля технического обслуживания со стороны аккредитованного специалиста и/или в случае неправильного ведения журнала технического обслуживания действие гарантии ограничивается одним годом.**

**Гарантия не распространяется:**

- на замену расходных материалов (§9);
- на детали, признанные неисправными не нашей компанией;

- на проблемы, возникшие вследствие неправильной эксплуатации оборудования;
- на проблемы, возникшие вследствие установки машины не аккредитованным специалистом;
- на детали или проблемы, связанные с нанесением ущерба во время транспортировки или ненадлежащим обращением при погрузочно-разгрузочных работах.

**Ремонт и/или замена неисправных деталей, выполненные в течение гарантийного периода, не могут послужить причиной продления данной гарантии.**

---

### **3 ПРЕДУПРЕЖДЕНИЯ**

---

Настоящее руководство следует сохранить для получения справочной информации при дальнейшей эксплуатации машины. В случае продажи или передачи машины другому лицу следует удостовериться, что руководство по эксплуатации передается вместе с ней, чтобы пользователь мог получить информацию о ее работе и связанных с ней предупреждениях.



**Предупреждения изложены для обеспечения вашей безопасности и безопасности других лиц. Просим вас внимательно прочесть эти предупреждения перед установкой и эксплуатацией машины.**

Машина разработана для использования совершеннолетними лицами с соответствующим разрешением. Поэтому нужно следить за тем, чтобы дети не прикасались к машине и не использовали ее в качестве игрушки.

Машина предназначена исключительно для использования в рабочих целях.

Опасно вносить изменения (и даже пытаться) в характеристики машины.

После установки машины убедитесь в том, что она не стоит на кабеле электроснабжения.

Соблюдайте данные инструкции по эксплуатации.

Машина должна храниться и использоваться в помещении, защищенном от сырости и жары.

Машина должна быть обеспечена достаточным освещением для выполнения работы.

Уровень шума машины ниже 75 дБ(А) согласно стандарту EN ISO 3744.

Машина не должна использоваться несколькими операторами параллельно (если не предписано иное).



**Всегда отключайте машину от сети электропитания перед выполнением чистки внутренних/внешних поверхностей и операций по техническому обслуживанию.**

Машина тяжелая. Принимайте все необходимые меры предосторожности при транспортировке и погрузочно-разгрузочных работах.

## 4 ТЕХНИЧЕСКИЕ ХАРАКТЕРИСТИКИ

### 4.1 Технические характеристики

	P12ST	P17ST
Высота (мм)	2284	2280
Ширина (мм)	1510	2010
Глубина (мм)	1753	1753
Длина лотков (мм)	1220	1720
Ширина лотков (мм)	130	130
Общее количество лотков	80	
Упаковка (мм)	2120x1710x1465	2455x1925x1465
Вес нетто (кг)	655	809
Вес нетто + упаковка (кг)	825	1009
Мощность мотора (кВт)	0.72	
Тип мотора	Трехфазный	
380 В, 50 Гц (А)		
Разгрузочная лента	Внутренняя/внешняя	
Тип выхода	Правый/левый	
Расположение весового дозатора	Фронтальное/боковое	
Материал для лотков	Arconet	

ОПЦИИ	
Антибактериальная лампа	входит в комплект
Вытяжки	входит в комплект
Внешняя разгрузочная лента	входит в комплект
Регулируемый тестокруглитель	входит в комплект
Выдвижная отводящая лента	входит в комплект
Байпас	опция
Длинная выдвижная отводящая лента	опция

PAS DE 4 (макс. вес тестозаготовок: 600 г) Ширина лотков: 130 мм; Полезное количество лотков: 59				
Количество тестозаготовок	Количество на лоток	Время расстойки (мин)		
		Скорость 1 (960 шт./ч)	Скорость 2 (1200 шт./ч)	Скорость 3 (1400 шт./ч)
236	4	15	12	10
295	5	18	15	13
413	7	26	21	18

PAS DE 5 (макс. вес тестозаготовок: 950 г) Ширина лотков: 160 мм; Полезное количество лотков: 63				
Количество тестозаготовок	Количество на лоток	Время расстойки (мин)		
		Скорость 1 (960 шт./ч)	Скорость 2 (1200 шт./ч)	Скорость 3 (1400 шт./ч)





141	3	8	7	6
188	4	12	9	8
235	5	15	12	10
329	7	21	17	10

Подробности о материалах, находящихся в непосредственном контакте с тестом.

**Лента тестоокруглителя:** Шерсть

**Лента распределителя:** шерсть/синтетика

**Лотки:** Arconet

**Разгрузочная лента:** лента Arcot

---

## **5 УСТАНОВКА И ВВОД В ЭКСПЛУАТАЦИЮ**

---

### **5.1 Распаковка машины**

Распаковка машины, ее монтаж и ввод в эксплуатацию обеспечиваются техническим специалистом компании JAC.

**После распаковки машины убедитесь, что она не подвергалась повреждениям во время транспортировки. Сообщайте нам о любых дефектах.**

### **5.2 Место установки**

Для обеспечения долгосрочной высокой производительности и надежности машины следует правильно выбрать место установки.

Оно должно быть хорошо проветриваемым, защищенным от воздействия прямых солнечных лучей, удаленным от источников тепла, с ровной и прочной поверхностью, не подвергающейся вибрации.

### **5.3 Электрическое подключение**

**ВАЖНО!** Обязательно наличие заземления.

Рекомендуется защитить электрическую установку с помощью плавкого предохранителя и дифференциального автоматического выключателя.

Электрическая установка, обеспечивающая питание машины, должна быть защищена следующим образом:

- Северная Америка: защита 15 А;
- Остальные страны: защита 16 А.

Машины, оборудованные регулятором скорости, обязательно должны подключаться к разветвительной коробке на линии с дифференциальным автоматом 300 мА.

Примечание. Любые проблемы, возникшие в связи с иным видом подключения, не будут покрываться гарантией.

Перед подключением машины к электросети и во избежание выхода мотора из строя в момент подключения следует убедиться в соответствии электросети характеристикам машины (см. заводской щиток).

Машина соответствует директивам о безопасности машин и оборудования 2006/42, 2006/95, 2004/108 и имеет подтверждающую маркировку ЕС.

Ознакомьтесь с пиктограммами техники безопасности, имеющимися на машине.



Пиктограмма, предупреждающая об опасности поражения электрическим током. Отключите машину от электросети перед выполнением любых работ. Пиктограмма находится на панели управления, используемой в качестве отсека электрощитка. (fig.5, н°27)  
Электросхема машины находится внутри отсека электрощитка (fig.5, н°27).

#### **5.4 Ввод в эксплуатацию**

Перед вводом в эксплуатацию убедитесь в отсутствии любых посторонних предметов на подвижных частях машины.

После проверки соответствия электрических характеристик в первую очередь убедитесь в том, что моторы вращаются в правильном направлении: лотки должны перемещаться в правильном направлении (если это не так, поменяйте местами 2 фазы на моторе).

Для получения ответов на все вопросы, касающиеся эксплуатации машины, см. раздел «Эксплуатация».

#### **5.5 Опасность**

В случае возникновения опасности для пользователя или для машины следует отключить электропитание с помощью главного выключателя.

Извлеките штекер из электрической розетки перед выполнением любых операций по техническому или периодическому обслуживанию.

Все операции по техническому обслуживанию или замене деталей должны осуществляться аккредитованным специалистом.

---

## **6 ОРГАНЫ УПРАВЛЕНИЯ И ПРЕДОХРАНИТЕЛЬНЫЕ УСТРОЙСТВА**

---

### **6.1 Органы управления**

Машина серийно оборудована механическим пультом управления (fig. 1, н°3).

### **6.2 Рабочая зона**

Рабочая и регулировочная зоны находятся на уровне пульта управления машины (fig.2, н°10).

---

## **7 ЭКСПЛУАТАЦИЯ**

---

**В начале рабочего дня машину следует включить с помощью главного выключателя. (fig.1, н°6)**



Существует несколько режимов работы:

#### *Автоматический режим*

Предусмотрен для работы с весовым дозатором или с тестоформовочной машиной (либо без нее). В этом режиме можно загружать камеру с помощью весового дозатора и одновременно выгружать тестовые заготовки в тестоформовочную машину.

#### *Ручной режим*

Предусмотрен для работы без весового дозатора и с тестоформовочной машиной. В этом режиме можно выгружать тестовые заготовки, находящиеся внутри камеры расстойки в тестоформовочной машине.

#### **Порядок эксплуатации в автоматическом режиме**

- A. Включите электропитание линии с помощью главного выключателя на электрощитке (fig.1, n°6).
- B. Нажмите на белую кнопку общего включения (fig.3, n°12).
- C. Настройте весовой дозатор и формовщик согласно инструкциям в соответствующих руководствах.
- E. Установите переключатель в положение «буханка или багет» (fig.3, n°16).
- F. Установите переключатель камеры в автоматический режим (fig.3, n°15).
- G. Установите переключатель весового дозатора в положение 1 (fig.3, n°17).
- H. Установите переключатель формовщика в автоматический режим (fig.3, n°18).
- I. Нажмите на зеленую кнопку запуска цикла в автоматическом режиме (fig.3, n°13).

Текущий цикл можно остановить с помощью кнопки (fig.3, n°14) (*формовщик выключится с задержкой для выталкивания одной или нескольких тестовых заготовок*).

Если внутри весового дозатора не осталось теста:

- M. Нажмите на красную кнопку остановки цикла в автоматическом режиме (fig.3, n°14).
- N. Установите переключатель весового дозатора в положение 0 (fig.3, n°17).
- O. Выполните повторно этапы, начиная с пункта C.

#### **Порядок эксплуатации в ручном режиме**

- A. Установите переключатель камеры в ручной режим (fig.3, n°15).
- B. Установите переключатель весового дозатора в положение 0 (fig.3, n°17).
- C. Установите переключатель формовщика в автоматический режим (fig.3, n°18).
- D. Нажмите на зеленую кнопку запуска цикла в автоматическом режиме (fig.3, n°13).

Текущий цикл можно остановить с помощью кнопки (fig.3, n°14) (*формовщик выключится с задержкой для выталкивания одной или нескольких тестовых заготовок*).

#### **Назначение других органов управления**

- Выключатель УФ (fig.3, n°20) обеспечивает запуск цикла УФ-обработки (этот режим автоматически выключается через 30 минут).
- Выключатель отводящей ленты (fig.3, n°19) обеспечивает включение и выключение отводящей ленты.

## **8 ТЕХНИЧЕСКОЕ ОБСЛУЖИВАНИЕ**

### **8.1 Ежедневное, выполняется пользователем, прошедшим подготовку.**

Очистите бак для отходов (fig.1, н°4, 5).

Запустите цикл УФ-обработки (fig.3, н°20).

### **8.2 Еженедельное, выполняется пользователем, прошедшим подготовку.**

Очистите внутренние поверхности машины (сухая ветошь, мягкая щетка, пылесос).

### **8.3 Ежегодное, выполняется аккредитованным специалистом.**

Проверьте и отрегулируйте натяжение цепи.

Смажьте все звенья цепей.

Смажьте цепи мотора.

## **9 РАСХОДНЫЕ МАТЕРИАЛЫ**

При заказе запасной части проверьте вместе с аккредитованным специалистом, о какой детали идет речь, по каталогу запасных частей, выпускаемому производителем.

Всегда уточняйте номер машины, указанный на заводском щитке.

Заказ в компании JAC может разместить ваш аккредитованный специалист.

### **9.1 Список РАСХОДНЫХ МАТЕРИАЛОВ**

<b>ITEM CODE</b>	<b>NEW DESCRIPTION</b>	<b>MODEL</b>
GERMICIDAL LAMP	GERMICIDAL LAMP	ALL
OPRA00020	SCRAPER BLADE	ALL
OPRA00025-412	TROUGH, ARCONET-T	P12ST
OPRA00025-417	TROUGH, ARCONET-T	P17ST
OPRA00025-512	TROUGH, WIDE, ARCONET-T	P12ST
OPRA00025-517	TROUGH, WIDE, ARCONET-T	P17ST
OPRA00015	ROUNDER BELT	P12ST
OPRA00016	DISTRIBUTOR BELT	P12ST
OPRA00017	OUTFEED BELT	P12ST
OPRA00018	INTERIOR OUTFEED BELT	ALL
OPRA00200	EXTERIOR OUTFEED BELT	ALL
OPRA00152	ROUNDER BELT	P17ST
OPRA00151	DISTRIBUTOR BELT	P17ST
OPRA00155	OUTFEED BELT	P17ST
OPRA00019	OUTFEED BELT, 1M	ALL
OPRA00300	OUTFEED BELT, 2M	ALL
OPRA00025-620	DELIVERY BELT	ALL



## 10 НЕПОЛАДКИ В РАБОТЕ

**ВНИМАНИЕ!** Перед выполнением любых ремонтных работ машина должна быть отключена от электроснабжения.

Проблема	Проверка
<b>Машина не запускается</b>	Проверить электропитание Проверить термореле Проверить, включена ли кнопка аварийного останова Проверить, включена ли кнопка «Пуск»
<b>Мотор гудит, но не запускается</b>	Проверить электропитание: возможно, нет фазы
<b>Цепь проскакивает и трещит</b>	Проверить натяжение цепи Проверить смазку Проверить состояние шестерней
<b>Лотки не переворачиваются</b>	Проверить, не деформированы ли лотки Проверить кулачок для переворачивания



Если проблема не устраняется, обратитесь к вашему техническому специалисту.

---

## 11 РУЧНАЯ РАЗГРУЗКА ЛОТКОВ

---

В случае неполадок в электроснабжении и необходимости разгрузки лотков вручную следует:

- А. Снять защитную пластину для доступа к мотору (fig.4, н°21).
  
- В. Открутить винт М8 и снять шайбу. (fig4, н°22)  
Открутить винт без головки М6 на ступице 17-зубчатой шестерни (fig.4, н°25), чтобы освободить трансмиссию. (fig.4, н°23) Поместите входящую в комплект поставки трещотку на втулку (fig.4, н°26) и извлеките приводное кольцо (fig.4, н°24), поворачивая трещотку в одну или в другую сторону.

После извлечения приводного кольца можно поворачивать трещотку как угодно, чтобы разгрузить лотки вручную.

После полной разгрузки люльки нужно выполнить все операции в обратном порядке, убедившись, что лоток находится в положении переворота, перед тем как установить приводное кольцо на первоначальное место. Поворачивайте трещотку столько раз, сколько будет нужно, чтобы достичь этого положения.



**Без соблюдения этого правила положение загрузки тестозаготовок в лотке (на уровне распределителя) будет неправильным.**

## 12 СПИСОК КОМПЛЕКТУЮЩИХ НА ИЗОБРАЖЕНИЯХ

Изображение	Номер	Название
1	1	Вытяжка воздуха
	2	Посыпатель муки
	3	Фотоэлемент
	4	Зона загрузки
	5	Зона разгрузки
	6	Пульт управления
	7	Ножки для устойчивости
	8	Бак для отходов
2	9	Вытяжка воздуха
	10	Приводной мотор лотков
	11	Мотор посыпателя муки
3	12	Кнопка аварийного останова
	13	Камера: загрузка/разгрузка
	14	Регулировка скорости
	15	Главный выключатель
	16	Главный включатель
	17	Запуск цикла в автоматическом режиме
	18	Остановка цикла в автоматическом режиме
	19	Переключатель ручного/автоматического режима формовщика
	20	Выключатель УФ-обработки
	21	Индикатор низкого уровня масла в весовом дозаторе
	22	Счетчик тестозаготовок
23	Включатель тестоокруглителя	
4	24	Зона регулировки
6	25	Пиктограмма, предупреждающая об опасности поражения электрическим током.





<b>1</b>	<b>ANTES DE LA PUESTA EN SERVICIO.....</b>	<b>66</b>
<b>2</b>	<b>GARANTÍA .....</b>	<b>66</b>
<b>3</b>	<b>ADVERTENCIAS.....</b>	<b>67</b>
<b>4</b>	<b>CARACTERÍSTICAS TÉCNICAS.....</b>	<b>68</b>
4.1	Características técnicas.....	68
4.2	Detalle de materiales en contacto directo con la masa. ....	69
<b>5</b>	<b>INSTALACIÓN Y PUESTA EN SERVICIO.....</b>	<b>69</b>
5.1	Desembalaje de la máquina:.....	69
5.2	Ubicación: .....	69
5.3	Conexión eléctrica:.....	69
5.4	Puesta en servicio:.....	70
5.5	Peligro: .....	70
<b>6</b>	<b>CUADRO DE CONTROL Y DE SEGURIDAD.....</b>	<b>70</b>
6.1	Cuadro de control:.....	70
6.2	Área de trabajo: .....	70
<b>7</b>	<b>USO.....</b>	<b>70</b>
<b>8</b>	<b>LIMPIEZA.....</b>	<b>71</b>
8.1	Diaria por un usuario formado. ....	71
8.2	Semanal por un usuario formado. ....	71
8.3	Anual por un agente autorizado.....	71
<b>9</b>	<b>CONSUMIBLES.....</b>	<b>72</b>
9.1	Lista de CONSUMIBLES.....	72
<b>10</b>	<b>INCIDENTES DE FUNCIONAMIENTO .....</b>	<b>73</b>
<b>11</b>	<b>DESCARGA MANUAL DE LOS MOLDES.....</b>	<b>74</b>
<b>12</b>	<b>LISTA DE COMPONENTES DE LAS FIGURAS.....</b>	<b>75</b>

---

## 1 ANTES DE LA PUESTA EN SERVICIO

---

Gracias por elegir una solución JAC. Lea con atención este manual de uso antes de instalar y poner en servicio esta máquina. De esta forma, usted puede protegerse y evitar el deterioro de su máquina.

Este manual hace referencia a distintas figuras con el fin de facilitar la comprensión de las instrucciones. Estas figuras se encuentran al final del manual. Consúltelas cuando vea los siguientes símbolos: fig.X, n°Y.

**Para que el funcionamiento de su máquina sea satisfactorio a lo largo de los próximos años, le invitamos a que lea los siguientes consejos:**

- Solicite ayuda a su agente autorizado para la instalación, la puesta en servicio y el seguimiento.
- Para poder beneficiarse de la garantía de 5 años (consulte las condiciones recogidas a continuación), solicite a su distribuidor que complete la tarjeta de mantenimiento al instalar su máquina. Esta tarjeta de mantenimiento se encuentra en la parte trasera de su máquina.

---

## 2 GARANTÍA

---



**JAC ofrece una garantía de 5 años en todos sus productos.**

Esta garantía es válida para todas las piezas de su máquina, incluidas las electrónicas, excluyendo los consumibles. La garantía entra en vigor a partir de la fecha de instalación del material.

**Con las siguientes condiciones restrictivas:**

- El material debe haberse adquirido a un revendedor autorizado.
- La instalación deberá efectuarla un agente autorizado.
- El material debe utilizarse conforme a las indicaciones del manual de uso y para la finalidad para la que ha sido fabricado.
- El mantenimiento diario del material debe efectuarse conforme a las indicaciones del manual de uso.
- El agente autorizado debe hacer un seguimiento del mantenimiento conforme a las especificaciones de mantenimiento, como mínimo, una vez al año (mantenimiento a cargo del usuario).
- Deben utilizarse exclusivamente piezas originales JAC.



**Si un agente autorizado no efectúa el seguimiento del mantenimiento y/o la tarjeta de mantenimiento no está cumplimentada correctamente, la garantía se limita a un año.**

**Esta garantía no cubre:**

- La sustitución de consumibles (§9).
- Las piezas que nuestros servicios no reconozcan como defectuosas.
- Los problemas derivados de un uso anormal del material.

- Los problemas derivados de una instalación no efectuada por un agente autorizado.
- Las piezas o los problemas causados por daños en el transporte o por un mantenimiento inadecuado.

**Una reparación y/o una sustitución de piezas defectuosas efectuadas durante el periodo de garantía no supondrá la prolongación de dicha garantía.**

---

### **3 ADVERTENCIAS**

---

Es muy importante conservar este manual de uso junto con el aparato para futuras consultas. Si este aparato se vende o se transfiere a otra persona, asegúrese de que se le entregue también el manual de uso para que el usuario pueda estar informado de su funcionamiento y de las advertencias que se recogen aquí.



**Estas advertencias se dan por su seguridad y la de los demás. Le rogamos que las lea con atención antes de instalar y utilizar el aparato.**

Esta máquina está diseñada para su uso por adultos autorizados. Asegúrese de que los niños no la toquen o que no la usen como un juguete.

Esta máquina está destinada únicamente a un uso profesional.

Es peligroso modificar o intentar modificar las características de esta máquina.

Después de instalar la máquina, asegúrese de que no aplasta el cable de alimentación.

Siga las instrucciones de uso.

Esta máquina debe almacenarse y utilizarse dentro de un local, protegida de la humedad y del calor.

Esta máquina debe estar suficientemente iluminada para efectuar el trabajo.

Esta máquina tiene un nivel sonoro inferior a 75 dB(A) según la norma EN ISO 3744.

Esta máquina debe utilizarla una sola persona a la vez (salvo indicación contraria).



**Desconecte siempre la toma de corriente antes de proceder a la limpieza interior y exterior del aparato y a las operaciones de mantenimiento.**

Este aparato es pesado. Tome todas las precauciones de seguridad durante su mantenimiento.

## 4 CARACTERÍSTICAS TÉCNICAS

### 4.1 Características técnicas

	P12ST	P17ST
Altura (mm)	2284	2280
Anchura (mm)	1510	2010
Profundidad (mm)	1753	1753
Longitud de los moldes (mm)	1220	1720
Anchura de los moldes (mm)	130	130
Número total de moldes	80	
Embalaje (mm)	2120 x 1710 x 1465	2455 x 1925 x 1465
Peso neto (kg)	655	809
Peso neto + embalaje (kg)	825	1009
Potencia del motor (kW)	0,72	
Tipo de motor	Trifásico	
380v - 50Hz (A)		
Descarga	Interior / Exterior	
Tipo de salida	Derecha / Izquierda	
Colocación de la pesadora	Frontal / Lateral	
Material de los moldes	Arconet	

OPCIONES	
Lámpara germicida	Incluida
Extractores	Incluidos
Cinta de descarga exterior	Incluida
Boleadora ajustable	Incluida
Cinta de evacuación retráctil	Incluida
Bypass	Opcional
Cinta de evacuación retráctil larga	Opcional

PASO DE 4 (Peso máximo de los pastones: 600 g)				
Anchura de los moldes: 130 mm – Número de moldes útiles: 59				
Número de pastones	Número por molde	Tiempo de reposo en minutos		
		Velocidad 1 (960 p/h)	Velocidad 2 (1200 p/h)	Velocidad 3 (1400 p/h)
236	4	15	12	10
295	5	18	15	13
413	7	26	21	18

PASO DE 5 (Peso máximo de los pastones: 950 g)				
Anchura de los moldes: 160mm – Número de moldes útiles: 63				
Número de pastones	Número por molde	Tiempo de reposo en minutos		
		Velocidad 1 (960 p/h)	Velocidad 2 (1200 p/h)	Velocidad 3 (1400 p/h)
141	3	8	7	6
188	4	12	9	8
235	5	15	12	10
329	7	21	17	10



#### 4.2 Detalle de materiales en contacto directo con la masa.

**Cinta boleadora:** Lana

**Cinta repartidora:** Lana / Material sintético

**Moldes:** Arconet

**Cinta de descarga:** Banda Arcot

---

## 5 **INSTALACIÓN Y PUESTA EN SERVICIO**

---

### 5.1 Desembalaje de la máquina:

Un técnico de JAC facilitará el desembalaje, el montaje y la puesta en marcha.

**Después de desembalar su máquina, compruebe que no ha sufrido daños durante el transporte. Infórmenos de cualquier anomalía.**

### 5.2 Ubicación:

Para obtener un rendimiento excelente y una fiabilidad a largo plazo, elija una ubicación que esté:

Bien ventilada, protegida de los rayos directos del sol y alejada de fuentes de calor, con una superficie plana y robusta y sin vibraciones.

### 5.3 Conexión eléctrica:

**IMPORTANTE:** La toma de tierra es obligatoria.

Es aconsejable proteger la instalación con un fusible y un disyuntor diferencial.

La instalación eléctrica que suministra energía a la máquina debe estar protegida tal y como se indica a continuación:

- América del Norte: Protección 15 A.

- Resto del mundo: Protección 16 A.

Las máquinas equipadas con un variador deben estar conectadas obligatoriamente a una caja de derivación en una línea equipada con un diferencial de 300 mA.

Nota: La garantía no cubrirá cualquier problema ocasionado por una conexión de otro tipo.

Antes de conectar su máquina a la red y con el fin de evitar una avería del motor al encenderla, es importante comprobar la adecuación de la red de alimentación a las características de la máquina (consulte la placa informativa de la máquina).

Este aparato cumple con las directivas sobre máquinas 2006/42, 2006/95 y 2004/108 y lleva el marcado CE que lo certifica.

Consulte los pictogramas de seguridad que figuran en la máquina:



Pictograma que indica un riesgo de electrocución. Desconecte la máquina antes de cualquier intervención en esta. Lo encontrará en el cuadro de control, que funciona como caja eléctrica. (fig.5, nº27).

Encontrará el esquema eléctrico de la máquina dentro de la caja eléctrica (fig.5, n°27).

#### **5.4 Puesta en servicio:**

Antes de la puesta en servicio, asegúrese de que no queda ningún objeto sobrante en las partes en movimiento de la máquina.

En primer lugar, y después de comprobar que la toma de corriente se ajusta a las características eléctricas de la máquina, asegúrese de que los motores giran en el sentido correcto. Para ello, es necesario que los moldes avancen en el sentido correcto (en caso contrario, invierta 2 fases del motor).

Para utilizar la máquina, consulte el apartado «Uso».

#### **5.5 Peligro:**

En caso de peligro para el usuario o para la máquina, debe utilizar el interruptor general para cortar la alimentación de la máquina.

Quite el enchufe de la toma de corriente antes de efectuar cualquier operación de mantenimiento y de limpieza.

Cualquier operación de mantenimiento o de sustitución de piezas debe efectuarla un agente autorizado.

---

## **6 CUADRO DE CONTROL Y DE SEGURIDAD**

---

### **6.1 Cuadro de control:**

Su máquina está equipada de serie con un pupitre de control mecánico (fig. 1, n°3)

### **6.2 Área de trabajo:**

El área de ajustes y de trabajo está situada a la altura del pupitre de control de la máquina (fig.2, n°10)

---

## **7 USO**

---

**Al principio del día, encienda la máquina usando el interruptor general (fig.1, n°6)**

Hay varios modos de funcionamiento:

*Modo «automático»:*

Este modo está destinado a trabajar con la pesadora y con o sin la moldeadora. En este modo, puede cargar la cámara con ayuda de la pesadora y descargar simultáneamente los pastones en la moldeadora.



### Modo «manual»:

Este modo está destinado a trabajar sin la pesadora y con la moldeadora. En este modo, puede descargar los pastones situados dentro de la cámara de reposo en la moldeadora.

### Procedimiento en modo automático

- A. Conecte el grupo con el interruptor general situado en la caja eléctrica (fig.1, nº6)
- B. Pulse el botón blanco de «marcha general» (fig.3, nº12)
- C. Ajuste la pesadora y la moldeadora siguiendo las indicaciones que se encuentran en sus respectivos manuales de instrucciones
- E. Coloque el interruptor en «pan o baguette» (fig.3, nº16)
- F. Coloque el interruptor «Cámara» en «Automático» (fig.3, nº15)
- G. Coloque el interruptor «Pesadora» en «1» (fig.3, nº17)
- F. Coloque el interruptor «Moldeadora» en «Automático» (fig.3, nº18)
- I. Pulse el botón verde «Iniciar ciclo auto» (fig.3, nº13)

El botón rojo (fig.3, nº14) permite detener un ciclo en curso (la moldeadora se detiene de forma temporizada para evacuar los pastones).

Cuando no quede masa dentro de la tolva

- M. Pulse el botón rojo «Detener ciclo auto» (fig.3, nº14)
- N. Coloque el interruptor «Pesadora» en «0» (fig.3, nº17)
- O. Vuelva a empezar a partir del paso C.

### Procedimiento en modo manual

- A. Coloque el interruptor «Cámara» en «Manual» (fig.3, nº15)
- B. Coloque el interruptor «Pesadora» en «0» (fig.3, nº17)
- C. Coloque el interruptor «Moldeadora» en «Automático» (fig.3, nº18)
- D. Pulse el botón verde «Iniciar ciclo auto» (fig.3, nº13)

El botón rojo (fig.3, nº14) permite detener un ciclo en curso (la moldeadora se detiene de forma temporizada para evacuar los pastones).

### Funciones de los otros botones de control

- El interruptor UV (fig.3, nº20) permite activar el ciclo Ultra-Violeta (este modo se detiene automáticamente al cabo de 30 minutos).
- El interruptor «Cinta de evacuación» (fig.3, nº19) permite activar o desactivar su puesta en marcha.

---

## 8 LIMPIEZA

---

### 8.1 Diaria por un usuario formado.

Limpie la bandeja de residuos (fig.1, nº4, 5).  
Inicie el ciclo UV (fig.3, nº20).

### 8.2 Semanal por un usuario formado.

Limpie el interior y el exterior de la máquina (paño seco, pincel y aspiradora).

### 8.3 Anual por un agente autorizado.

Compruebe y ajuste la tensión de la cadena.  
 Lubrique las articulaciones de las cadenas.  
 Lubrique la cadena del motor.

---

## 9 CONSUMIBLES

---

Al pedir una pieza de recambio, compruebe con su agente autorizado de qué pieza se trata con base en el catálogo de piezas de recambio del fabricante.  
 Indique siempre el número de máquina tal y como se indica en la placa informativa.  
 Su agente efectuará el pedido a JAC.

### 9.1 Lista de CONSUMIBLES

REFERENCIA	NUEVA ETIQUETA	MODELO
LÁMPARA GERMICIDA	LÁMPARA GERMICIDA	TODAS
OPRA00020	CUCHILLA DEL RASCADOR	TODAS
OPRA00025-412	MOLDE ARCONET-T	P12ST
OPRA00025-417	MOLDE ARCONET-T	P17ST
OPRA00025-512	MOLDE ANCHO ARCONET-T	P12ST
OPRA00025-517	MOLDE ANCHO ARCONET-T	P17ST
OPRA00015	GUÍA DE LA BOLEADORA	P12ST
OPRA00016	GUÍA DEL REPARTIDOR	P12ST
OPRA00017	GUÍA DE EVACUACIÓN	P12ST
OPRA00018	GUÍA DE EVACUACIÓN INTERIOR	TODAS
OPRA00200	GUÍA DE EVACUACIÓN EXTERIOR	TODAS
OPRA00152	GUÍA DE LA BOLEADORA	P17ST
OPRA00151	GUÍA DEL REPARTIDOR	P17ST
OPRA00155	GUÍA DE EVACUACIÓN	P17ST
OPRA00019	GUÍA DE EVACUACIÓN 1 M	TODAS
OPRA00300	GUÍA DE EVACUACIÓN 2 M	TODAS
OPRA00025-620	CINTA DE RECEPCIÓN	TODAS



---

## 10 INCIDENTES DE FUNCIONAMIENTO

---

**ATENCIÓN:** Para cualquier intervención, la máquina deberá estar desenchufada obligatoriamente.

Problema	Comprobación
<b>La máquina no se pone en funcionamiento</b>	Compruebe la alimentación eléctrica Compruebe el relé térmico Compruebe que el botón de detención de emergencia no está pulsado Compruebe que el botón de encender está accionado
<b>El motor hace ruido, pero no empieza a funcionar</b>	Compruebe la alimentación, es posible que falte una fase
<b>La cadena salta y cruje</b>	Compruebe la tensión de la cadena Compruebe que está bien engrasada Compruebe el estado de los piñones
<b>Los moldes no vuelven</b>	Compruebe que los moldes no están deformados Compruebe la leva de retorno



Si el problema persiste, póngase en contacto con su técnico.

---

## 11 DESCARGA MANUAL DE LOS MOLDES

---

En caso de avería eléctrica, para descargar los moldes de forma manual basta con:

- A. Desmontar la chapa de protección para acceder al motor (fig.4, n°21).
  
- B. Retirar el tornillo M8 y su arandela (fig4, n°22).  
Alojar el tornillo sin cabeza M6 que se encuentra en el buje del piñón de 17 dientes (fig.4, n°25) para liberar la transmisión. (fig.4, n°23) Colocar el trinquete suministrado con su máquina en el casquillo (fig.4, n°26) y retirar el anillo de arrastre (fig.4, n°24) haciendo girar el trinquete en un sentido u otro.

Una vez que se ha retirado el anillo de arrastre, podrá girar el trinquete como desee para que pueda descargar los moldes manualmente.

Una vez que se ha vaciado totalmente el distribuidor, es necesario efectuar el montaje en sentido inverso asegurándose que un molde esté en la posición de retorno correcta antes de volver a colocar el anillo de arrastre en su ubicación inicial. Gire el trinquete tantas veces como sea necesario para colocarlo correctamente.



**Si no se respetan estas indicaciones, la posición de carga de los pastones en el molde (a la altura del repartidor) no será correcta.**

---

**12 LISTA DE COMPONENTES DE LAS FIGURAS**

---

<b>Figura</b>	<b>Número</b>	<b>Nombre</b>
1	1	Extractor de aire
	2	Harinadora
	3	Célula fotoeléctrica
	4	Zona de carga
	5	Zona de descarga
	6	Pupitre de control
	7	Pies de estabilización
	8	Bandeja de residuos
2	9	Extractor de aire
	10	Motor de movimiento de los moldes
	11	Motor de la harinadora
3	12	Botón de detención de emergencia
	13	Cámara: carga/descarga
	14	Ajuste de la velocidad
	15	Interruptor general
	16	Marcha general
	17	Iniciar ciclo auto
	18	Detener ciclo auto
	19	Moldeadora manual/auto
	20	Interruptor UV
	21	Pesadora de aceite bajo
	22	Contador de pastones
23	Puesta en marcha de la boleadora	
4	24	Zona de ajuste
6	25	Pictograma que indica un riesgo de electrocución



<b>1</b>	<b>PRIMA DELLA MESSA IN FUNZIONE</b> .....	<b>78</b>
<b>2</b>	<b>GARANZIA</b> .....	<b>78</b>
<b>3</b>	<b>AVVERTENZE</b> .....	<b>79</b>
<b>4</b>	<b>CARATTERISTICHE TECNICHE</b> .....	<b>80</b>
4.1	Caratteristiche tecniche .....	80
4.2	Dettaglio materiali in contatto con la pasta. ....	81
<b>5</b>	<b>INSTALLAZIONE E MESSA IN FUNZIONE</b> .....	<b>81</b>
5.1	Disimballo della macchina:.....	81
5.2	Posizionamento: .....	81
5.3	Collegamento elettrico: .....	81
5.4	Messa in servizio: .....	82
5.5	Pericolo: .....	82
<b>6</b>	<b>ORGANO DI COMANDO E DI SICUREZZA</b> .....	<b>82</b>
6.1	Organo di comando:.....	82
6.2	Zona di lavoro: .....	82
<b>7</b>	<b>UTILIZZO</b> .....	<b>82</b>
<b>8</b>	<b>MANUTENZIONE</b> .....	<b>83</b>
8.1	Quotidiana da parte di un utilizzatore addestrato. ....	83
8.2	Settimanale da parte di un utilizzatore addestrato. ....	83
8.3	Annuale da parte di un utilizzatore autorizzato. ....	83
<b>9</b>	<b>COMPONENTI DI CONSUMO</b> .....	<b>84</b>
9.1	Elenco dei COMPONENTI DI CONSUMO .....	84
<b>10</b>	<b>INCIDENTI DI FUNZIONAMENTO</b> .....	<b>85</b>
<b>11</b>	<b>SCARICO MANUALE DELLE TRAMOGGE</b> .....	<b>86</b>
<b>12</b>	<b>ELENCO DEI COMPONENTI INDICATI NELLE FIGURE</b> .....	<b>87</b>

---

## 1 PRIMA DELLA MESSA IN FUNZIONE

---

Grazie per aver scelto una soluzione JAC. Si invita a leggere con attenzione queste note informative prima di procedere all'installazione e alla messa in servizio di questa macchina. Contengono informazioni su come proteggersi e come evitare il deterioramento della macchina.

Queste informazioni fanno riferimento a diverse figure, in modo da facilitare la comprensione delle istruzioni. Le figure si trovano al fondo delle informazioni. Si invita a farvi riferimento quando si incontrano i seguenti simboli (fig. X, n. Y).

**Per una totale soddisfazione dall'utilizzo della macchina nei prossimi anni, si invita a tenere presenti i seguenti consigli:**

- Farsi aiutare dal tecnico autorizzato per l'installazione, la messa in servizio e il follow-up.
- Per beneficiare della garanzia di 5 anni (vedere le condizioni riportate in seguito), far compilare dal distributore, il libretto di manutenzione al momento dell'installazione della macchina. Il libretto di manutenzione si trova nella parte posteriore della macchina.

---

## 2 GARANZIA

---



**JAC offre una garanzia di 5 anni su tutti i suoi prodotti.**

Questa garanzia è valida su tutte le parti della macchina, comprese quelle elettroniche, a parte i componenti di consumo. La garanzia entra in vigore a partire dalla data di installazione del materiale.

**Secondo le seguenti condizioni restrittive:**

- Materiale acquistato presso un rivenditore autorizzato.
- Installazione effettuata da un tecnico autorizzato.
- Utilizzo del materiale conformemente alle indicazioni sul modo di utilizzo e nel rispetto della finalità per la quale è stato fabbricato.
- Materiale quotidianamente mantenuto nel rispetto delle indicazioni delle modalità di utilizzo.
- Manutenzioni successive da parte del tecnico autorizzato conformemente alle specifiche di manutenzione con, al minimo, una manutenzione l'anno (manutenzione a carico dell'utente).
- L'utilizzo esclusivo di parti originali JAC.



**Se non si eseguono interventi di manutenzione da parte di un tecnico autorizzato e/o il libretto di manutenzione non è correttamente completato, la garanzia si limita ad un anno.**

**Questa garanzia non copre:**

- La sostituzione dei componenti di consumo (§9).
- Le parti non riconosciute difettose dai nostri servizi.
- I problemi derivanti da un utilizzo anomalo del materiale.

- I problemi derivanti da un'installazione non effettuata da un tecnico autorizzato.
- Le parti o i problemi derivanti da un danno di trasporto o da una manutenzione inadeguata.

**Una riparazione e/o una sostituzione di parti difettose effettuate durante il periodo di garanzia non producono l'effetto di prolungare detta garanzia.**

---

### 3 AVVERTENZE

---

È molto importante che le istruzioni per l'utilizzo siano conservate con l'apparecchio per ogni consultazione futura. Se questo macchinario deve essere venduto o trasferito ad un'altra persona, accertarsi che le istruzioni per l'utilizzo siano consegnate all'utente destinatario in modo che possa essere informato sul funzionamento e sui messaggi di avvertenza ad esso riferiti.



**Tali avvertenze sono fornite per la vostra sicurezza e per quella altrui. Si prega di leggerle con attenzione prima di installare e utilizzare il macchinario.**

Questa macchina è stata progettata per essere utilizzata da adulti autorizzati. Accertarsi quindi che i bambini non le si avvicinino e che non la utilizzino come un giocattolo.

Questa macchina è destinata unicamente ad un uso professionale.

È pericoloso modificare o provare a modificare le caratteristiche di questa macchina.

Accertarsi dopo averla installata, che non appoggi sul cavo di alimentazione.

Seguire le istruzioni fornite per l'utilizzo.

Questa macchina deve essere sistemata e utilizzata all'interno di un locale, al riparo da umidità e calore.

Deve essere illuminata a sufficienza per poter funzionare.

La macchina produce un livello di rumore inferiore a 75 dB(A), conforme alla norma EN ISO 3744.

La macchina deve essere utilizzata da una sola persona per volta (salvo prescrizioni contrarie).



**Staccare sempre il cavo di alimentazione prima di procedere alla pulizia interna/esterna del macchinario e alle operazioni di manutenzione.**

Questo macchinario è pesante. Adottare tutte le precauzioni di sicurezza al momento della manutenzione.

## 4 CARATTERISTICHE TECNICHE

### 4.1 Caratteristiche tecniche

	P12ST	P17ST
Altezza (mm)	2284	2280
Larghezza (mm)	1510	2010
Profondità (mm)	1753	1753
Lunghezza delle tramogge (mm)	1220	1720
Larghezza delle tramogge (mm)	130	130
Numero di tramogge totali	80	
Imballaggio (mm)	2120x1710x1465	2455x1925x1465
Peso netto (kg)	655	809
Peso NETTO + imballaggio (kg)	825	1009
Potenza motore (kW)	0.72	
Tipo di motore	Trifase	
380v - 50Hz (A)		
Scarico	Interno / Esterno	
Tipo di uscita	Destra / Sinistra	
Posizionamento della dosatrice	Anteriore/ Laterale	
Materiale delle tramogge	ArconeT	

OPZIONI	
Lampada germicida	incluso
Estrattori	incluso
Nastro di scarico esterno	incluso
Arrotondatrice regolabile	incluso
Nastro di evacuazione retrattile	incluso
By-pass	opzionale
Nastro di evacuazione lungo retrattile	opzionale

PAS DE 4 (Peso massimo degli impasti: 600 gr)				
Larghezza delle tramogge: 130 mm - Numero di tramogge utili: 59				
Numero di impasti	Numero per tramoggia	Tempi di riposo in minuti		
		Velocità 1 (960 p/h)	Velocità 2 (1200 p/h)	Velocità 3 (1400 p/h)
236	4	15	12	10
295	5	18	15	13
413	7	26	21	18

PAS DE 5 (Peso massimo degli impasti: 950 gr)				
Larghezza delle tramogge: 160mm - Numero di tramogge utili: 63				
Numero di impasti	Numero per tramoggia	Tempi di riposo in minuti		
		Velocità 1 (960 p/h)	Velocità 2 (1200 p/h)	Velocità 3 (1400 p/h)
141	3	8	7	6
188	4	12	9	8
235	5	15	12	10
329	7	21	17	10



#### 4.2 Dettaglio materiali in contatto con la pasta.

**Nastro arrotondatrice:** Lana

**Nastro ripartitore:** Lana / Sintetico

**Tramogge:** Arconet

**Nastro di scarico:** Fascia Arcot

---

## 5 **INSTALLAZIONE E MESSA IN FUNZIONE**

---

### 5.1 Disimballo della macchina:

Il disimballo, il montaggio e la messa in funzione sono garantiti da un tecnico JAC.

**Dopo il disimballo della macchina, verificare che non abbia subito danni durante il trasporto. Segnalare ogni anomalia.**

### 5.2 Posizionamento:

Per ottenere performance eccellenti e affidabilità a lungo termine, scegliere una posizione:

Ben ventilata, al riparo dai raggi solari diretti e lontano da fonti di calore, con una superficie piana, robusta e priva di vibrazioni.

### 5.3 Collegamento elettrico:

**IMPORTANTE:** Messa a terra obbligatoria.

Si consiglia di proteggere l'impianto con un fusibile e un salvavita.

L'impianto elettrico che alimenta la macchina deve essere protetto secondo quanto indicato qui di seguito:

- Nord America: Protezione 15 A;

- Resto del mondo: Protezione 16 A.

Le macchine dotate di variatore, devono necessariamente essere collegate ad una scatola di derivazione su di una linea dotata di salvavita da 300 mA.

Nota: Ogni problema derivante da un altro tipo di collegamento non sarà preso in considerazione ai fini della garanzia.

Prima di collegare la macchina alla rete e onde evitare una dismissione del motore all'avvio, è importante verificare la compatibilità della rete di alimentazione con le caratteristiche della macchina (vedere la relativa targa segnaletica).

Questo apparecchio è conforme alle direttive macchine 2006/42, 2006/95, 2004/108 e reca la marcatura CE che attesta detta conformità.

Si invita a prendere visione della segnaletica di sicurezza che figura sulla macchina:



Segnale che indica un rischio di folgorazione. Scollegare la macchina prima di eseguire qualsiasi intervento. Si trova sul pannello di comando che funge da quadro elettrico (fig.5, n. 27).

All'interno del quadro elettrico si trova lo schema elettrico della macchina (fig. 5, n. 27).

#### **5.4 Messa in servizio:**

Prima della messa in servizio, accertarsi che non vi siano oggetti estranei sulle parti in movimento della macchina.

Accertarsi innanzitutto che (dopo verifica della compatibilità elettrica) che i motori girino nel senso corretto. Occorre che le tramogge avanzino nel senso corretto (Altrimenti invertire 2 fasi a livello del motore).

Per l'utilizzo della macchina, fare riferimento al capitolo "Utilizzo".

#### **5.5 Pericolo:**

In caso di pericolo per l'utente o per la macchina, utilizzare l'interruttore generale per interrompere l'alimentazione della macchina.

Estrarre la scheda della presa elettrica prima di ogni operazione di manutenzione o di assistenza.

Ogni operazione di manutenzione o sostituzione delle parti deve essere effettuata da un tecnico autorizzato.

---

## **6 ORGANO DI COMANDO E DI SICUREZZA**

---

### **6.1 Organo di comando:**

La macchina è dotata di serie di un quadro di comando meccanico (fig. 1, n. 3).

### **6.2 Zona di lavoro:**

La zona di lavoro si trova a livello del pannello di comando della macchina (fig. 2, n. 10).

---

## **7 UTILIZZO**

---

### **All'inizio della giornata, alimentare la macchina tramite l'interruttore generale (fig. 1, n. 6)**

Si distinguono più modalità di funzionamento:

#### *Modalità "automatica":*

Questa modalità è destinata a lavorare con la dosatrice e con o senza formatrice. In questo modo è possibile caricare la camera con la dosatrice e scaricare contemporaneamente gli impasti nella formatrice.

#### *Modalità "manuale":*

Questa modalità è destinata a lavorare senza dosatrice e con la formatrice. In questo modo è possibile scaricare gli impasti che si trovano all'interno della camera di riposo nella formatrice.



### **Procedura in modalità automatica**

- A. Alimentare il gruppo mediante l'interruttore generale che si trova sul quadro elettrico (fig.1, n. 6).
- B. Premere il pulsante bianco di "funzionamento generale" (fig. 3, n. 12).
- C. Regolare la dosatrice e la formatrice tenendo conto delle indicazioni presentate nei rispettivi manuali.
- E. Mettere l'interruttore su "pane o baguette" (fig. 3, n. 16).
- F. Mettere l'interruttore "Camera" su "Automatico" (fig. 3, n. 15).
- G. Mettere l'interruttore "Dosatrice" su "1" (fig. 3, n. 17).
- H. Mettere l'interruttore "Formatrice" su "Automatico" (fig. 3, n. 18).
- I. Premere il pulsante verde "Funzionamento ciclo automatico" (fig. 3, n. 13).

Il pulsante rosso (fig. 3, n. 14) consente di fermare un ciclo in corso (la formatrice si ferma in modo temporizzato per consentire di togliere gli impasti presenti).

Se ci sono più impasti all'interno della tramoggia.

- M. Premere il pulsante rosso "Arresto ciclo automatico" (fig. 3, n. 14).
- N. Mettere l'interruttore "Dosatrice" su "0" (fig. 3, n. 17).
- O. Ripetere la procedura a partire dal punto C.

### **Procedura in modalità manuale**

- A. Mettere l'interruttore "Camera" su "manuale" (fig. 3, n. 15).
- B. Mettere l'interruttore "Dosatrice" su "0" (fig. 3, n. 17).
- C. Mettere l'interruttore "Formatrice" su "Automatico" (fig. 3, n. 18).
- D. Premere il pulsante verde "Funzionamento ciclo automatico" (fig. 3, n. 13).

Il pulsante rosso (fig. 3, n. 14) consente di fermare un ciclo in corso (la formatrice si ferma in modo temporizzato per consentire di togliere gli impasti presenti).

### **Funzioni degli altri pulsanti di comando**

- L'interruttore UV (fig. 3, n. 20) consente di attivare il ciclo Ultra-Violetto (Questa modalità di interrompe automaticamente dopo 30 minuti).
- L'interruttore "Nastro di evacuazione " (fig. 3, n. 19) consente di attivare o disattivare la sua messa in funzione.

---

## **8 MANUTENZIONE**

---

### **8.1 Quotidiana da parte di un utilizzatore addestrato.**

Pulire il cassetto dei residui (fig. 1, n. 4, 5).  
Avviare il ciclo UV (fig. 3, n. 20).

### **8.2 Settimanale da parte di un utilizzatore addestrato.**

Pulire l'esterno e l'interno della macchina (Panno asciutto, pennello, aspiratore).

### **8.3 Annuale da parte di un utilizzatore autorizzato.**

Verificare e regolare la tensione della catena.  
Lubrificare le articolazioni delle catene.  
Lubrificare la catena motore.

---

## **9 COMPONENTI DI CONSUMO**

---

Al momento dell'ordine di parti di ricambio, verificare con il tecnico autorizzato di quale parte si tratta in base al catalogo delle parti di ricambio emesso dal fabbricante.

Precisare sempre il codice della macchina indicato sulla targa segnaletica.

Il tecnico effettua gli ordini presso JAC.

### **9.1 Elenco dei COMPONENTI DI CONSUMO**

<b>RIFERIMENTO</b>	<b>NUOVA DESCRIZIONE</b>	<b>MODELLO</b>
LAMPADA GERMICIDA	LAMPADA GERMICIDA	TUTTE
OPRA00020	LAMA RASCHIATORE	TUTTE
OPRA00025-412	TRAMOGGIA ARCONET-T	P12ST
OPRA00025-417	TRAMOGGIA ARCONET-T	P17ST
OPRA00025-512	TRAMOGGIA LARGA ARCONET-T	P12ST
OPRA00025-517	TRAMOGGIA LARGA ARCONET-T	P17ST
OPRA00015	CURSORE ARROTONDATRICE	P12ST
OPRA00016	CURSORE RIPARTITORE	P12ST
OPRA00017	CURSORE EVACUAZIONE	P12ST
OPRA00018	CURSORE EVACUAZIONE INTERNO	TUTTE
OPRA00200	CURSORE EVACUAZIONE ESTERNO	TUTTE
OPRA00152	CURSORE ARROTONDATRICE	P17ST
OPRA00151	CURSORE RIPARTITORE	P17ST
OPRA00155	CURSORE EVACUAZIONE	P17ST
OPRA00019	CURSORE EVACUAZIONE 1M	TUTTE
OPRA00300	CURSORE EVACUAZIONE 2M	TUTTE
OPRA00025-620	NASTRO DI INGRESSO	TUTTE

---

## 10 INCIDENTI DI FUNZIONAMENTO

---

**ATTENZIONE:** Per ogni intervento, la macchina deve obbligatoriamente essere scollegata dall'alimentazione.

Problema	Verifica
<b>La macchina non si mette in moto</b>	Verificare l'alimentazione elettrica. Verificare il relè termico. Verificare se il pulsante di arresto d'emergenza è stato attivato. Verificare se il pulsante di avvio è stato azionato.
<b>Il motore emette un rumore ma non parte</b>	Verificare l'alimentazione, potrebbe mancare una fase.
<b>La catena salta e scricchiola</b>	Verificare la tensione della catena. Controllare che sia correttamente lubrificata. Verificare lo stato dei pignoni.
<b>Le tramogge non girano</b>	Verificare che le tramogge non siano deformate. Verificare la camma di ritorno.



**Se il problema persiste, contattare il proprio tecnico.**

---

## 11 SCARICO MANUALE DELLE TRAMOGGE

---

In caso di guasto elettrico, per scaricare le tramogge manualmente, occorre:

- A. Smontare la lamiera di protezione per accedere al motore (fig. 4, n. 21).
  
- B. Togliere la vite M8 e la relativa rondella (fig. 4, n. 22).  
Svitare la vite senza testa M6 che si trova al centro del pignone a 17 denti (fig. 4, n. 25) per liberare la trasmissione (fig. 4, n. 23). Posizionare il cricchetto ricevuto con la macchina sul supporto (fig. 4, n. 26) ed estrarre l'anello di scorrimento (fig. 4, n. 24) facendo ruotare il cricchetto in un senso o nell'altro.

Una volta estratto l'anello di scorrimento, è possibile ruotare il cricchetto per consentire lo scarico manuale delle tramogge.

Una volta svuotato totalmente il ripiano a bilanciere, occorre procedere al rimontaggio in senso inverso rispetto alla modalità di funzionamento accertandosi che una tramoggia si trovi in posizione di ribaltamento prima di rimettere l'anello di scorrimento nell'alloggiamento iniziale. Ruotare il cricchetto quanto occorre per raggiungere questa posizione.



**Se questa procedura non viene rispettata, la posizione di carico degli impasti nella tramoggia (a livello del ripartitore) non sarà corretta.**

---

**12 ELENCO DEI COMPONENTI INDICATI NELLE FIGURE**

---

<b>Figura</b>	<b>Numero</b>	<b>Nome</b>
1	1	Estrattore d'aria
	2	Infarinatore
	3	Cellula fotoelettrica
	4	Zona di carico
	5	Zona di scarico
	6	Quadro comandi
	7	Piedini di stabilizzazione
	8	Cassetto dei residui
2	9	Estrattore d'aria
	10	Motore di movimento delle tramogge
	11	Motore dell'infarinatore
3	12	Pulsante di arresto d'emergenza
	13	Camera: carico/scarico
	14	Regolazione della velocità
	15	Interruttore generale
	16	Avvio generale
	17	Avvio ciclo auto
	18	Arresto ciclo auto
	19	Formatrice manuale/auto
	20	Interruttore UV
	21	Dosatrice olio insufficiente
	22	Contatore degli impasti
23	Avvio dell'arrotondatrice	
4	24	Zona di regolazione
6	25	Segnale che indica un rischio di folgorazione





90	.....	قبل التشغيل	1
90	.....	الضمان	2
91	.....	تنبيهات	3
92	.....	المواصفات الفنية	4
92	.....	المواصفات الفنية	4.1
93	.....	تفاصيل الخامات الملامسة بشكل مباشر للعجين	4.2
93	.....	التركيب والتشغيل	5
93	.....	فك تغليف الآلة:	5.1
93	.....	الموضع:	5.2
93	.....	التوصيل الكهربائي:	5.3
94	.....	التشغيل:	5.4
94	.....	خطر:	5.5
94	.....	جهاز التحكم والأمان	6
94	.....	جهاز التحكم:	6.1
94	.....	منطقة عمل:	6.2
94	.....	الاستخدام	7
95	.....	الصيانة	8
95	.....	يومية بواسطة مستخدم مُدرّب	8.1
95	.....	أسبوعية بواسطة مستخدم مُدرّب	8.2
95	.....	سنوية بمعرفة وكيل معتمد	8.3
96	.....	قطع المستهلكات	9
96	.....	قائمة بالمستهلكات	9.1
97	.....	الأحداث العارضة أثناء التشغيل	10
98	.....	تفريغ يدوي للأحواض الصغيرة	11
99	.....	قائمة بالمكونات الموجودة في الأشكال	12

# اللغة الفرنسية

## 1 قبل التشغيل

نشكركم لاختياركم حلول JAC. تأكد من قراءة دليل الاستخدام هذا قبل تركيب وتشغيل هذه الآلة. يمكنك أن تحمي نفسك وتتجنب هكذا أن تتلف الآلة.

يشير هذا الدليل إلى أشكال مختلفة من أجل تسهيل فهم التعليمات. هذه الأشكال موجودة في نهاية الدليل. يُرجى الرجوع إليها ما إن ترى الرموز التالية (شكل كذا، رقم كذا).

من أجل أن تكون راضيًا تمامًا عن أداء هذه الآلة خلال السنوات القادمة، ندعوك إلى الاطلاع على النصائح التالية:

- استعن بوكيل معتمد من أجل التركيب والتشغيل والمتابعة.

- من أجل الاستفادة من الضمان ومدته 5 سنوات (انظر الشروط المذكورة بعد)، قم بواسطة الموزع، باستكمال دفتر الصيانة أثناء تركيب الآلة. يوجد دفتر الصيانة خلف الآلة.

## 2 الضمان

تقدم شركة JAC ضمانًا على كل منتجاتها مدته 5 سنوات.



يسري هذا الضمان على كل قطع الآلة، بما فيها القطع الإلكترونية، دون المستهلكات. يسري الضمان من تاريخ تركيب المعدة.

بحسب الشروط المقيدة التالية:

- تم شراء المعدة من موزع معتمد؛
- تم التركيب بمعرفة وكيل معتمد؛
- استخدام المعدة وفقًا لتعليمات دليل الاستخدام وفي الغرض التي صنعتت من أجل؛
- يتم صيانة المعدة يوميًا وفقًا لإرشادات دليل الاستخدام؛
- يتابع الصيانة الوكيل المعتمد وفقًا لشروط الصيانة، مع إجراء الصيانة مرة في العام، على الأقل (الصيانة على حساب المستخدم).
- الاستخدام الحصري لقطع الغيار الأصلية من JAC.



إذا لم يكن يوجد صيانة من وكيل معتمد و/أو أن دفتر الصيانة غير مكتمل بشكل صحيح، تقتصر فترة الضمان على عام واحدة.

علما بأن الضمان لا يشمل:

- استبدال المستهلكات (فقرة 9)؛
- قطع الغيار التي لم يقر قسم الخدمة الفنية بأنها تالفة؛
- المشاكل الناجمة عن الاستخدام غير السليم للمعدة؛
- المشاكل الناجمة عن تركيب لم يتم بمعرفة وكيل معتمد؛
- قطع الغيار أو المشاكل الناجمة عن تلف أثناء النقل أو المناولة غير المناسبة.

ليس من شأن الإصلاح و/أو الاستبدال لقطع الغيار التالفة الذي يتم خلال مدة الضمان أن يمدد هذا الضمان.



من المهم جدًا حفظ دليل الاستخدام هذا مع الجهاز للاطلاع عليه في المستقبل. إذا كان سيتم بيع أو نقل هذا الجهاز إلى شخص آخر، تأكد أن يتم إعطاء دليل الاستخدام هذا بحيث يستطيع المستخدم معرفة تشغيله والتنبيهات المتعلقة به.



تم إعطاء هذه التنبيهات حرصاً على سلامتك وعلى سلامة الآخرين. برجاء قراءتها بانتباه قبل تركيب واستخدام الجهاز.  
تم تصميم هذه الآلة لكي يستخدمها أشخاص بالغين مسموح لهم باستخدامها. يرجى ألا يلمسها الأطفال أو أن يستخدموها كلعبة.  
هذه الآلة مخصصة حصرياً للاستخدام المهني.

من الخطر تعديل أو محاولة تعديل مواصفات هذه الآلة.

بعد تركيب الآلة، تأكد أنها لا تستند على كابل كهرباء.

اتبع التعليمات المعطاة من أجل الاستخدام.

يجب تخزين واستخدام هذه الآلة داخل مكان، بعيداً عن الرطوبة والحرارة.

يجب أن يكون هناك إضاءة كافية لهذه الآلة للقيام بالعمل.

مستوى صوت هذه الآلة أقل من 75 ديسيبل وفقاً للمعيار EN ISO 3744.

يجب أن يستخدم هذه الآلة شخص واحد في الوقت الواحد (ما لم يوجد تعليمات مخالفة).



افصل دائماً التيار الكهربائي قبل القيام بالتنظيف الداخلي/الخارجي للجهاز وقبل عمليات الصيانة.

هذا الجهاز ثقيل الوزن. اتخذ كل احتياطات الأمان أثناء مناولته.

## 4.1 المواصفات الفنية

P17ST	P12ST	
2280	2284	الارتفاع (مم)
2010	1510	العرض (مم)
1753	1753	العمق (مم)
1720	1220	طول الأحواض الصغيرة (مم)
130	130	عرض الأحواض الصغيرة (مم)
80		إجمالي عدد الأحواض الصغيرة
2455x1925x1465	2120x1710x1465	الحجم (مم)
809	655	الوزن الصافي (كجم)
200	170	الوزن الصافي + عبوة التغليف (كجم)
0.72		قوة الموتور (كيلو واط)
ثلاثي الأطوار (3 فازة)		نوع الموتور
		380 فولت - 50 هرتز (A)
داخلي / خارجي		التفريغ
يمينا / يسارا		نوع المخرج
أمامي / جانبي		موضع آلة الوزن
ArconeT		خامات الأحواض الصغيرة

خيارات	
مُبَاع	مصباح مبيد للجراثيم
مُبَاع	تجهيزات سحب
مُبَاع	بُساط التفريغ الخارجي
مُبَاع	آلة تدوير قابلة للضبط
مُبَاع	بساط الإخراج قابل للضم
اختياري	تحويل
اختياري	بساط إخراج طويل قابل للضم

PAS DE 4 (أقصى وزن لقطع العجين: 600 جرام)				
عرض الأحواض الصغيرة: 130 مم - عدد الأحواض الصغيرة المفيدة: 59				
وقت التمدد بالدقائق			العدد لكل حوض صغير	عدد قطع العجين
سرعة 3 (1400 قطعة/ساعة)	سرعة 2 (1200 قطعة/ساعة)	سرعة 1 (960 قطعة/ساعة)		
10	12	15	4	236
13	15	18	5	295
18	21	26	7	413
PAS DE 5 (أقصى وزن لقطع العجين: 950 جرام)				
عرض الأحواض الصغيرة: 160 مم - عدد الأحواض الصغيرة المفيدة: 63				
وقت التمدد بالدقائق			العدد لكل حوض صغير	عدد قطع العجين
سرعة 3 (1400 قطعة/ساعة)	سرعة 2 (1200 قطعة/ساعة)	سرعة 1 (960 قطعة/ساعة)		
6	7	8	3	141
8	9	12	4	188
10	12	15	5	235
10	17	21	7	329

## 4.2 تفاصيل الخامات الملامسة بشكل مباشر للعجين.

بُساط آلة التدوير الصوف  
البساط الموزع: صوف / ألياف صناعية  
الأحواض الصغيرة: Arconet  
بُساط التفريغ: شريط Arcot

## 5 التركيب والتشغيل

### 5.1 فك تغليف الآلة:

يقوم فنيّ من شركة JAC بفك التغليف والتركيب والتشغيل.

بعد إخراج الآلة من الكرتون، تحقق أنها لم تتعرض للتلف أثناء النقل. وأبلغنا بأي عطب.

### 5.2 الموضع:

للحصول على أداء ممتاز وفعالية على المدى الطويل، اختر موضع:

جيد التهوية، بعيدًا عن أشعة الشمس المباشرة وبعيدًا عن مصادر الحرارة مع سطح مستو وقوي وخالي من الاهتزازات.

### 5.3 التوصيل الكهربائي:

هام: توصيل الطرف الأرضي الإلزامي.

يُنصح بحماية التمديدات الكهربائية بمنصهر وقاطع تيار تفاضلي.

يجب حماية التمديدات الكهربائية التي تُغذي الآلة كما هو مُبين أدناه:

- أمريكا الشمالية: حماية 15 أمبير؛

بقية دول العالم: حماية 16 أمبير.

بالنسبة للآلات المجهزة بمُغيّر كهربائي، فيجب توصيله على غلبة التفريغ على خط مجهز بقاطع تيار تفاضلي 300 ملي أمبير.

ملحوظة: أي مشكلة ناجمة عن التوصيل بشكل آخر لن يشملها الضمان.

قبل توصيل الآلة على شبكة الكهرباء ومن أجل تجنب وقف تشغيل الموتور عند توصيله بالكهرباء، من المهم التحقق من توافق شبكة الكهرباء مع مواصفات الآلة (انظر لوحة البيانات لهذه الآلة).

يتوافق هذا الجهاز مع التعليمات الخاصة بالآلات 42/2006 و 95/2006 و 108/2004 ويحمل علامة CE التي تشهد بذلك.

يرجى الاطلاع على الصور التوضيحية المتعلقة بالأمان الموجودة على الآلة:

صورة توضيحية تُشير إلى خطر الصعق بالكهرباء. يُرجى فصل الماكينة قبل أي إصلاح لها. يمكنك أن تجده على لوحة التحكم التي تحل محل الصندوق الكهربائي. (fig.5, n°27)  
سوف تجد الرسم التخطيطي الكهربائي للآلة داخل الصندوق الكهربائي (fig.5, n°27).



## 5.4 التشغيل:

قبل التشغيل، تأكد من عدم وجود أي شيء دخيل على الأجزاء المتحركة للألة.

تأكد أولاً (بعد التحقق من التوافق الكهربى) من أن المواير تدور في الاتجاه السليم، وعلامة ذلك أن الأحواض الصغيرة تتقدم نحو الاتجاه الصحيح (وإلا فقم بقلب 2 فزاة في الموتور).

لاستخدام الآلة، راجع فصل "الاستخدام".

## 5.5 خطر:

في حالة وجود خطر على المستخدم أو على الآلة، يجب عليك أن تستخدم مفتاح القطع العمومي لفصل التيار الكهربى عن الآلة.

اسحب القابض من المقبس الكهربى قبل القيام بأية عملية صيانة أو فحص.

أي عملية صيانة أو استبدال قطعة غيار يجب أن تتم بواسطة وكيل معتمد.

## 6 جهاز التحكم والأمان

### 6.1 جهاز التحكم:

الآلة مجهزة بسلسلة من لوحة أزرار ميكانيكية (fig. 1, n°3)

### 6.2 منطقة عمل:

توجد منطقة الضبط والعمل على مستوى لوحة التحكم في الآلة (fig.2, n°10)

## 7 الاستخدام

في بداية اليوم، وصل الآلة بالكهرباء باستخدام مفتاح القطع العمومي (fig.1, n°6)

توجد عدة أوضاع للتشغيل:

*الطريقة "الآلية":*

هذا الوضع مخصص للعمل مع آلة الوزن ومع أو بدون آلة التشكيل. في هذا الوضع، يمكنك تحميل الغرفة باستخدام آلة الوزن، وتفريغ قطع العجين في آلة التشكيل في نفس الوقت.

*الطريقة "اليدوية":*

هذا الوضع مخصص للعمل بدون آلة الوزن ومع آلة التشكيل. في هذا الوضع، يمكنك تفريغ قطع العجين الموجودة داخل غرفة التمدد في آلة التشكيل.

*الطريقة في الوضع الأوتوماتيكي*

أ. وصل مجموعة الأجهزة بالتيار الكهربى باستخدام مفتاح قاطع الدائرة العام الموجود على الصندوق الكهربى (fig.1, n°6)

ب. اضغط على الزر الأبيض "التشغيل العام" (fig.3, n°12)

ج. اضبط آلة الوزن وآلة تشكيل العجين وفقاً للإرشادات الموجودة في دليل الاستخدام.

هـ. ضع مفتاح قطع التيار الكهربى على "خبز أو خبز طويل" (fig.3, n°16)

- و. ضع مفتاح قطع التيار الكهربائي "غرفة" على وضع "ألي" (fig.3, n°15)
- ز. ضع مفتاح قطع التيار الكهربائي الخاص "بآلة الوزن" على "1" (fig.3, n°17)
- ح. ضع مفتاح قطع التيار الكهربائي "آلة التشكيل" على وضع "ألي" (fig.3, n°18)
- ط. اضغط على الزر الأخضر "تشغيل دورة آية" (fig.3, n°13)

يتيح الزر الأحمر (fig.3, n°14) إيقاف دورة جارية (تتوقف آلة التشكيل بطريقة موقوتة من أجل إخراج قطعة أو قطع العجين).

عندما يوجد الكثير من العجين داخل القادوس

- م. اضغط على الزر الأحمر "إيقاف دورة آية" (fig.3, n°14)
- ن. ضع مفتاح قطع التيار الكهربائي الخاص "بآلة الوزن" على "0" (fig.3, n°17)
- س. كرر الخطوات ابتداء من النقطة ج.

#### الطريقة في الوضع اليدوي

- أ. ضع مفتاح قطع التيار الكهربائي "غرفة" على وضع "يدوي" (fig.3, n°15)
- ب. ضع مفتاح قطع التيار الكهربائي الخاص "بآلة الوزن" على "0" (fig.3, n°17)
- ح. ضع مفتاح قطع التيار الكهربائي "آلة التشكيل" على وضع "ألي" (fig.3, n°18)
- د. اضغط على الزر الأخضر "تشغيل دورة آية" (fig.3, n°13)

يتيح الزر الأحمر (fig.3, n°14) إيقاف دورة جارية (تتوقف آلة التشكيل بطريقة موقوتة من أجل إخراج قطعة أو قطع العجين).

#### وظائف أزرار التحكم الأخرى

- يتيح مفتاح UV القطع (fig.3, n°20) تشغيل دورة الأشعة فوق البنفسجية (يتوقف هذا الوضع أوتوماتيكياً بعد 30 دقيقة)
- يتيح مفتاح القطع "بسط الإخراج" (fig.3, n°19) تشغيل أو إيقاف تشغيل هذا البسط.

## 8 الصيانة

### 8.1 يومية بواسطة مستخدم مُدرب.

قم بتنظيف وعاء البقايا (fig.1, n°4, 5)

ابدأ الدورة UV شكل (fig.3, n°20)

### 8.2 أسبوعية بواسطة مستخدم مُدرب.

قم بتنظيف الآلة من الداخل والخارج (قطعة قماش جافة، فرشاة، جهاز شفط)

### 8.3 سنوية بمعرفة وكيل معتمد.

تأكد من شد الجنزير واضبطه

قم بتشحيم مفصلات الجنزير

قم بتشحيم جنزير الموتور

## 9 قطع المستهلكات

أثناء طلب قطعة غيار، تأكد مع الوكيل المعتمد بشأن القطعة المطلوبة على أساس كتالوج قطع الغيار الذي أصدره الصانع. حدد دائماً رقم الآلة كما هو مبين على لوحة البيانات. ويقوم الوكيل بعمل الطلبات لدى شركة JAC.

### 9.1 قائمة بالمستهلكات

النموذج	التوصيف الجدي	رمز الصنف
ALL	GERMICIDAL LAMP	GERMICIDAL LAMP
ALL	SCRAPER BLADE	OPRA00020
P12ST	TROUGH, ARCONET-T	OPRA00025-412
P17ST	TROUGH, ARCONET-T	OPRA00025-417
P12ST	TROUGH, WIDE, ARCONET-T	OPRA00025-512
P17ST	TROUGH, WIDE, ARCONET-T	OPRA00025-517
P12ST	ROUNDER BELT	OPRA00015
P12ST	DISTRIBUTOR BELT	OPRA00016
P12ST	OUTFEED BELT	OPRA00017
ALL	INTERIOR OUTFEED BELT	OPRA00018
ALL	EXTERIOR OUTFEED BELT	OPRA00200
P17ST	ROUNDER BELT	OPRA00152
P17ST	DISTRIBUTOR BELT	OPRA00151
P17ST	OUTFEED BELT	OPRA00155
ALL	OUTFEED BELT, 1M	OPRA00019
ALL	OUTFEED BELT, 2M	OPRA00300
ALL	DELIVERY BELT	OPRA00025-620



## 10 الأحداث العارضة أثناء التشغيل

**انتبه:** قبل القيام بأية إصلاحات، يجب فصل التيار عن الآلة.

المشكلة	التحقق
الآلة لا تعمل	تحقق من توصيل الكهرياء تحقق من المرحل الحراري تأكد ما إذا كان زر الإيقاف في حالة الطوارئ لا يعمل تحقق أن زر التشغيل تم الضغط عليه
الموتور يصدر صوت لكن لا يعمل	تحقق من التوصيل الكهربائي، ربما هناك فائز كهرياء ناقصة
الجنزير يقفز من مكانه ويطلق	تأكد من شد الجنزير تحقق من التشحيم الجيد تأكد من حالة التروس
الأحواض الصغيرة لا ترتد	تأكد أن الأحواض الصغيرة ليست مشوهة تحقق من كامة القلب

إذا استمرت المشكلة بعد ذلك، يرجى الاتصال بالفني.



## 11 تفريغ يدوي للأحواض الصغيرة

في حالة انقطاع التيار الكهربائي، ولتفريغ الأحواض الصغيرة يدويًا، يكفيك أن تستعين بـ:

A. قم بفك صاج الحماية للوصول إلى الموتور (fig.4, n°21)

B. اسحب البرغي M8 وورديته. (fig4, n°22)  
قم بفك البرغي دون رأس M6 الذي يوجد في صُرة الترس 17 سنة (fig.4, n°25) من أجل تحرير نقل الحركة. (fig.4, n°23)  
ضع المفتاح بسقاطة المنياع مع الألة على الجلبة (fig.4, n°26) واسحب حلقة التحريك (fig.4, n°24) وذلك بلف السقاطة في اتجاه أو الاتجاه الآخر.

عند سحب حلقة التحريك، يمكنك كما يحلو لك لف السقاطة لكي تسمح لك بتفريغ الأحواض الصغيرة يدويًا.

عند تفريغ صينية التآرج تمامًا، يجب القيام بالتركيب مرة أخرى في عكس اتجاه طريقة التشغيل مع التأكد أن الحوض الصغير الذي يوجد في وضع القلب قبل إعادة حلقة التحريك إلى مكانها الأول. قم بلف السقاطة قدر ما تحتاج للوصول إلى هذا الموضع.

إذا لم يتم مراعاة ذلك، فإن وضع تحميل قطع العجين في الحوض الصغير (على مستوى الموزع) لن يكون صحيحًا.



## 12 قائمة بالمكونات الموجودة في الأشكال

شکل	الرقم	الاسم
1	1	ساحب للهواء
	2	منفضة دقيق
	3	خلية كهروضوئية
	4	منطقة تحميل
	5	منطقة تفريغ
	6	لوحة تحكم
	7	قوائم تثبيت
	8	وعاء البقايا
	9	ساحب للهواء
2	10	موتور حركة الأحواض الصغيرة
	11	موتور منفضة الدقيق
	12	زر الإيقاف في حالة الطوارئ
3	13	غرفة: تحميل/ تفريغ
	14	ضبط السرعة
	15	مفتاح قطع عمومي
	16	تشغيل عام
	17	تشغيل دورة آلية
	18	إيقاف دورة آلية
	19	آلة تشكيل يدوي / آلي
	20	مفتاح قطع UV
	21	آلة الوزن الزيت أسفل
	22	عداد قطع العجين
	23	تشغيل آلة التدوير
4	منطقة الضبط	
6	صورة توضيحية تُشير إلى خطر الصعق بالكهرباء.	

fig.1

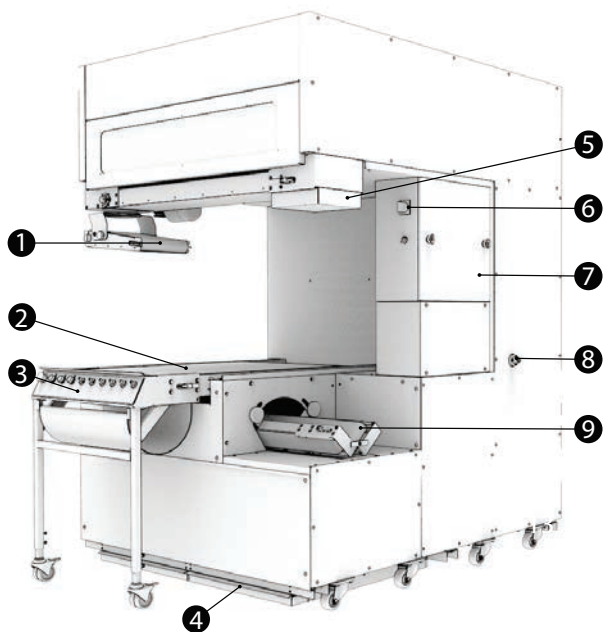


fig.2

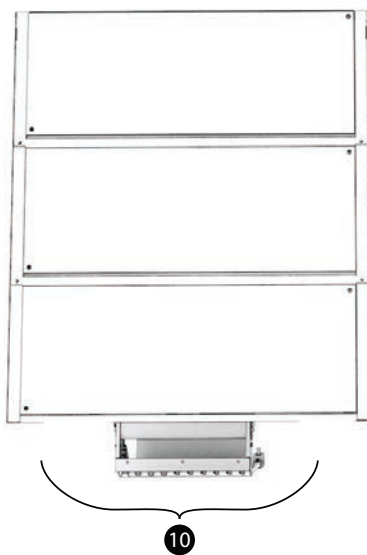


fig.3

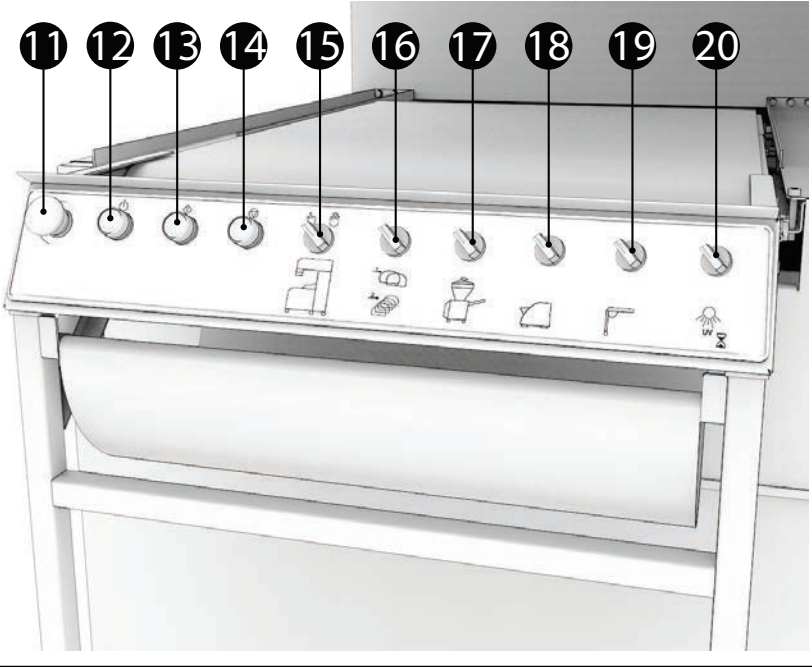


fig.4

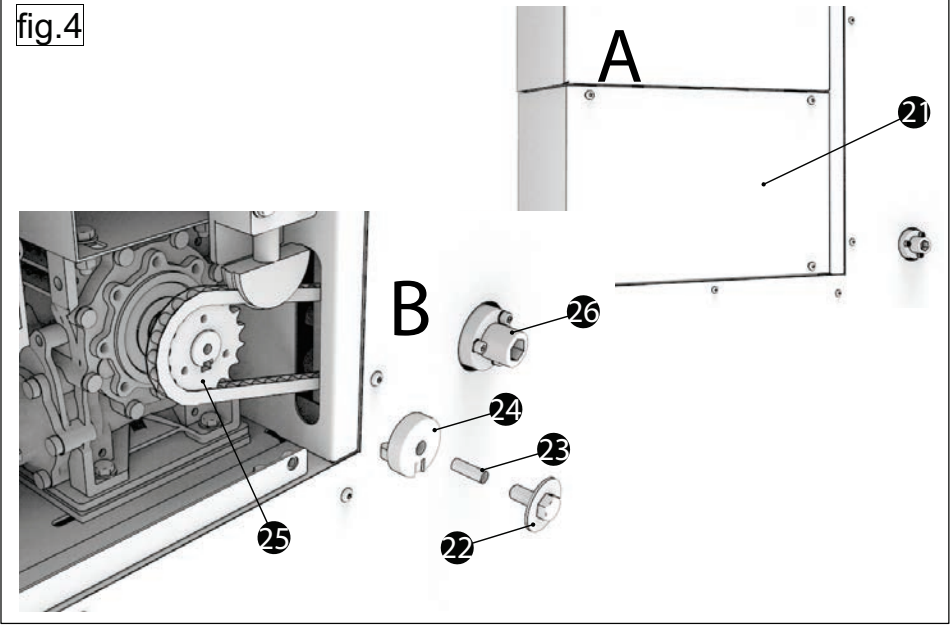
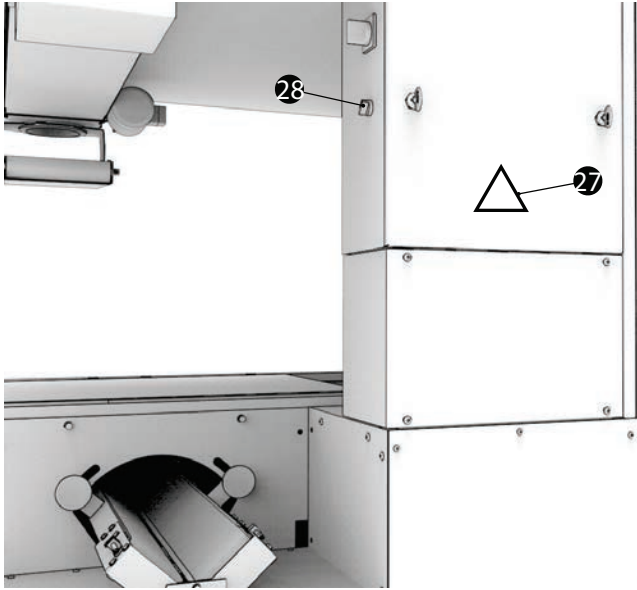


fig.5







Traditionally Innovative

CONFORMITY CERTIFICATE TO THE EUROPEAN DIRECTIVES.  
CERTIFICAT DE CONFORMITE AUX DIRECTIVES EUROPEENNES.  
KONFORMITÄTSZEUGNIS AN DIE EUROPÄISCHEN RICHTLINIEN.  
GETUIGSCHRIFT VAN OVEREENSTEMMING MET DE EUROPESE RICHTLIJNEN.  
CERTIFICATO DI CONFORMITÀ ALLE DIRETTIVE EUROPEE.  
CERTIFICADO DE CONFORMIDAD CON LAS DIRECTIVAS EUROPEAS.  
СЕРТИФИКАТ СООТВЕТСТВИЯ ЕВРОПЕЙСКИМ ДИРЕКТИВАМ.  
شهادة المطابقة مع التعليمات الأوروبية.



- EN** The undersigned certifies that the machine complies with the European Directives 2006/42, 2006/95, 2004/108.
- FR** Le soussigné déclare que cette machine est conforme aux directives européennes 2006/42, 2006/95, 2004/108.
- DE** Unterzeichneter erklärt, daß diese Maschine den Europäischen Richtlinien 2006/42 2006/95, 2004/108.
- NL** Ik ondertekende verklaar dat deze machine in overeenstemming met de Europese richtlijnen 2006/42, 2006/95, 2004/108.
- IT** Il sottoscritto dichiara questa macchina conforme alle ultime versioni delle seguenti direttive europee 2006/42, 2006/95, 2004/108.
- ES** El infrascrito declara que esta máquina es conforme con las directivas europeas 2006/42, 2006/95, 2004/108.
- RU** Нижеподписавшееся лицо заявляет, что данное устройство соответствует европейским директивам 2006/42, 2006/95, 2004/108.
- AR** يقر الموقع أدناه أن هذه الآلة مطابقة مع التعليمات الأوروبية أرقام 2006/42 و 2006/95 و 2004/108.

Last update: 01/2017  
Technical files compiled by:  
Pierre-Yves DORSIMONT  
Verte voie, 49- 51  
B-4000 Sclessin  
BELGIUM

Complies with the following (parts of)  
European Harmonised Standards:  
EN 1672-2  
EN 1935  
EN 60204-1  
EN 12100-1  
EN 12100-2 §5, §6  
EN 13954 if applicable  
EN 61000-3-2. -3-3. -6-1. -6-3

B. Van Cauwenberghe  
General Manager  
JAC s.a.