



CHUTE+

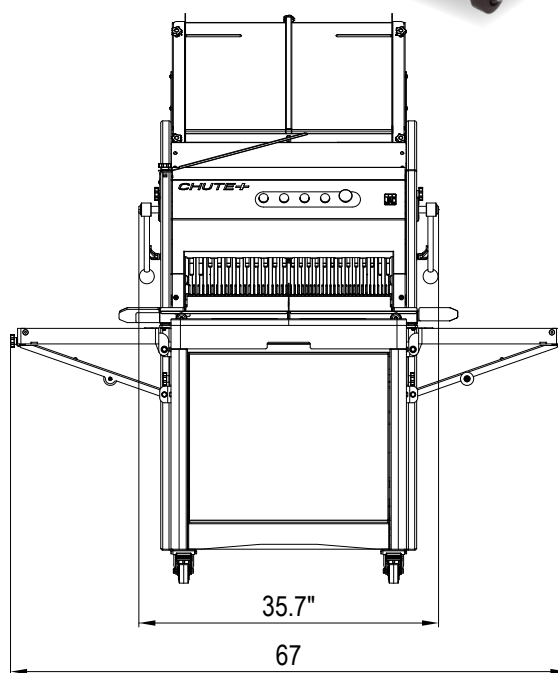
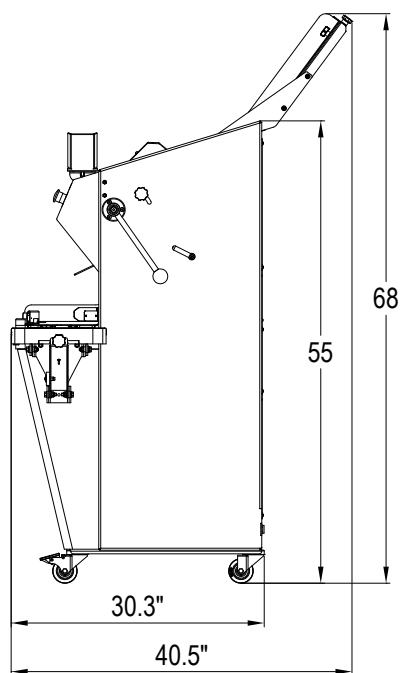
Continuous cut slicer

- ✓ Dual infeed Gravity Feed slicer
- ✓ One slicer two slice thicknesses
- ✓ Minimum space requirement
- ✓ Ergonomic
- ✓ Large capacity crumb tray
- ✓ 5 year parts / 1 year labor warranty



Optional

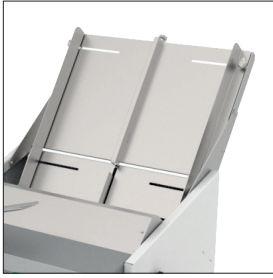
Optional



Traditionally Innovative

www.jac-machines.com

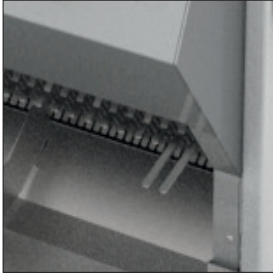
office@jac-machines.com



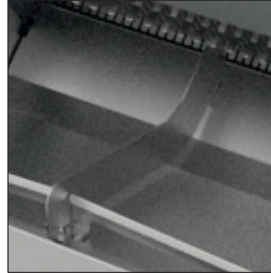
Loading ramp
Fitted with side guides, increases loading capacity.



Removable crumb collector
Accessible by tilting the front cylinder-assisted door. 4.75 gallons capacity.



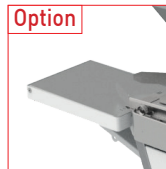
Adjustable bread holder
Adjusts the pressure on the bread to ensure a clean, precise quality of cut.



Bread exit guides



Lever on the side
Allows the final loaf to be cut completely safely.



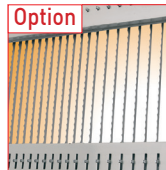
Option

Fold down bag blowing table
Saves packaging time.



Option

Double fold down bag blowing table
Saves packaging time.



Option

Double slice thickness
Allows two different slicing widths on the same machine

FEATURES

CHUTE+ 600

Max. loaf dimensions in in (L x H)	23.6" x 6.3"
Max. loaf dual slice dimensions in in (L x H)	11.8" x 6.3"
Motor power in kW	0.49
Type of motor	1ph/120V/60Hz/7.3A
Net weight in lbs	507

CHOICES

Slice thickness options | from 3/8" to 5/8"

OPTIONS

Fold down bag blowing table	•
Double fold down bag blowing table	•
Double slice thickness	•
Special slice thickness (more than 5/8 ")	•