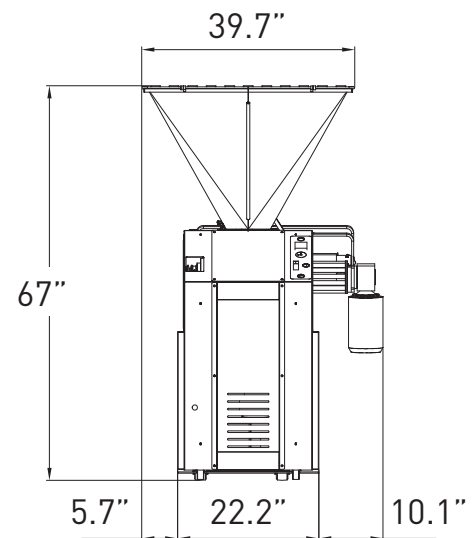
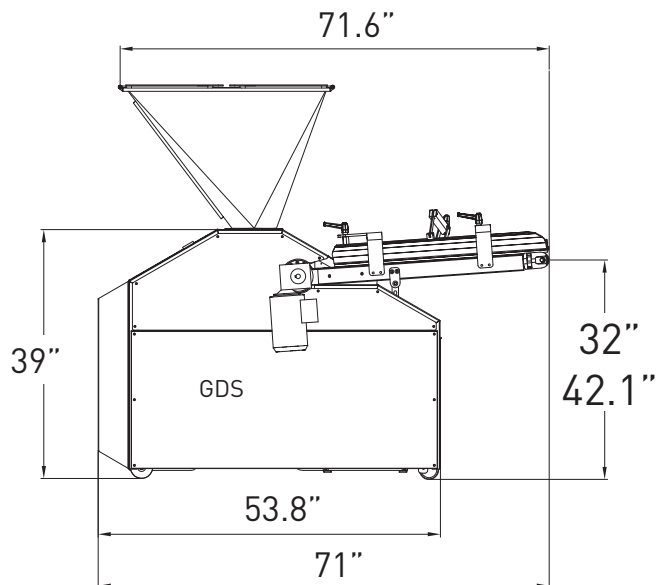




GDS

Volumetric divider

- ✓ Open hopper volumetric divider
- ✓ Stainless steel exterior
- ✓ Consistently accurate scaling
- ✓ High volume
- ✓ Built-in flour dispenser
- ✓ Pre-rounding of dough pieces
- ✓ 5 years parts / 1 year labor warranty



Traditionally Innovative

www.jac-machines.com

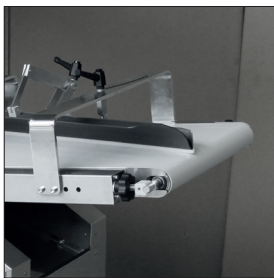
office@jac-machines.com



Outfeed belt scraper
The belt is kept clean throughout use.



Oil recycling system
Reduces oil consumption.
Fitted with a filter and a low level alert.



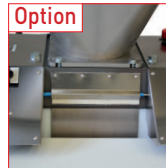
Adjustable pre-rounding
Pre-round dough balls on the outfeed belt.



Built-in flour dispenser
Prevents the dough pieces from sticking to the belt.



Moulding plate



Dough piece lubrication

FEATURES

GDS	
Adjustable speed in pieces per hour	960 - 2000
Teflon-coated hopper. capacity in ounces	4230 oz
Capacity in pounds	260 lbs
Programmable counter. countdown counter	•
Stainless steel drum	•
Triple-seal Rilsan piston	•
Stainless steel exterior	•
Outfeed belt width in in	19.7"
Outfeed belt scraper	•
Adjustable pre-rounding tile	•
Oil recycling system	•
Motor power in kW	2.2
Type of motor	3ph/208V/60Hz/4.7A
Net weight in lbs	1270

CHOICES

Outfeed belt length in in	41.7"
---------------------------	-------

OPTIONS

Flour dispenser	•
Dough piece lubrication	•
440lb capacity Teflon-coated stainless steel hopper	•
Dough piece rolling belt	•

	3.14" PISTON	3.94" PISTON	4.33" PISTON	4.72" PISTON	5.12" PISTON
Max/min weight of dough pieces in ounces	1 / 13 oz	1.7 / 24.7 oz	2.47 / 30 oz	3.2 / 35.3 oz	4.6 / 45.8 oz