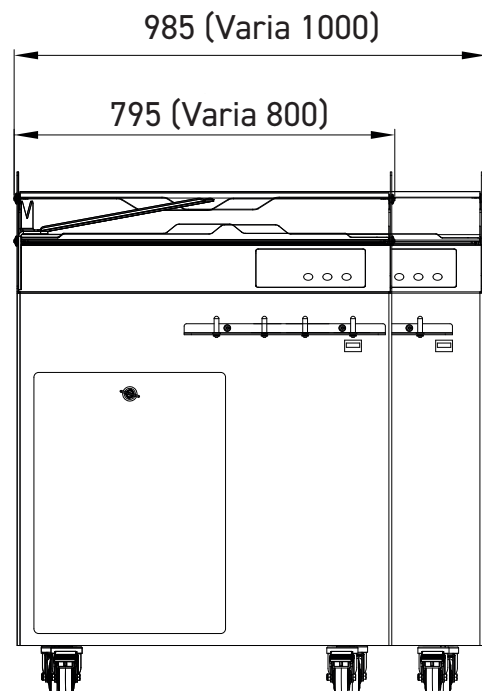
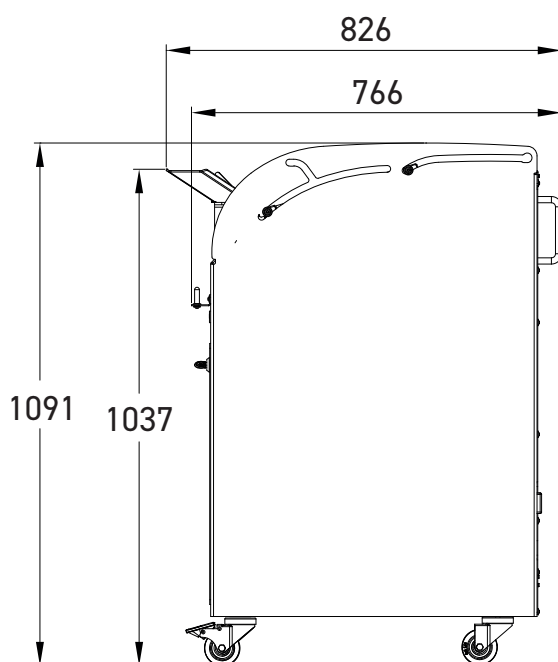


VARIA *SELF*

- ✓ Maximum safety
- ✓ Exemplary hygiene
- ✓ Stainless or painted steel finish
- ✓ Oil-free cutting

Up to 120 slices a minute





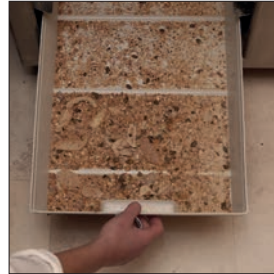
Automatic claw
Stabilises the loaf during slicing and makes handling safer.
- Ergonomics
- Ease of use
- Efficiency



Teflon-coated circular blade
Non-stick for the clean cutting of all types of bread.



Control panel
Allows the user to select a thickness between 5 and 25 mm*



Removable crumb collector
Made of light-weight material
18 L capacity.



Safety cover
Locked during the cutting cycle, prevents access to the blade.



Option Bag holder
Facilitates bread bagging

Option Users explanatory notice



Option Black Edition



* Thickness to be determined according to the style of bread.

FEATURES	VARIA SELF 800	VARIA SELF 1000
Size of entry channel (L x W x H) in cm	36 x 28.5 x 16	43 x 28.5 x 16
Slice thickness in mm	Can be set from 5 to 25mm*	Can be set from 5 to 25mm*
Power supply	400V three-phase	400V three-phase
Motor power in kW	1.1	1.1
Net weight (in kg)	220	230
Cleaning position	•	•
Blade type and dimensions in mm	420 mm diameter, Teflon-coated	420 mm diameter, Teflon-coated

CHOICES	VARIA SELF 800	VARIA SELF 1000
Standard colour (not compatible with stainless steel exterior)**	•	•

OPTIONS	VARIA SELF 800	VARIA SELF 1000
Stainless steel exterior	•	•
Black edition finish	•	•
Bag holder	•	•
Users explanatory notice	•	•
Sour dough bread holding system	•	•
Power supply 60Hz	•	•
Special colour (not compatible with stainless steel exterior)	•	•

**STANDAARDKLEUREN

