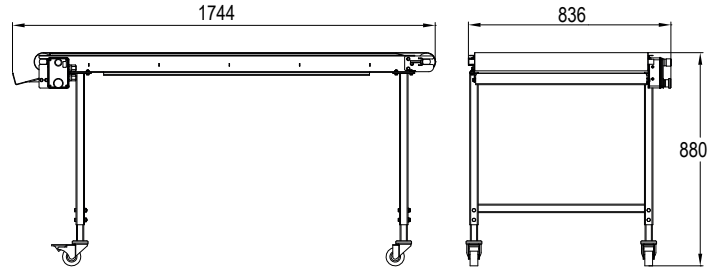
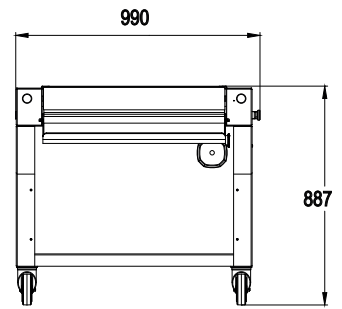
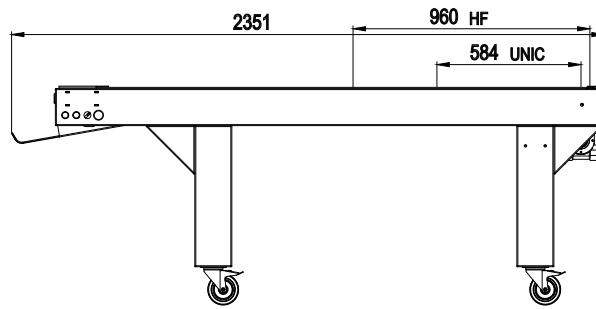
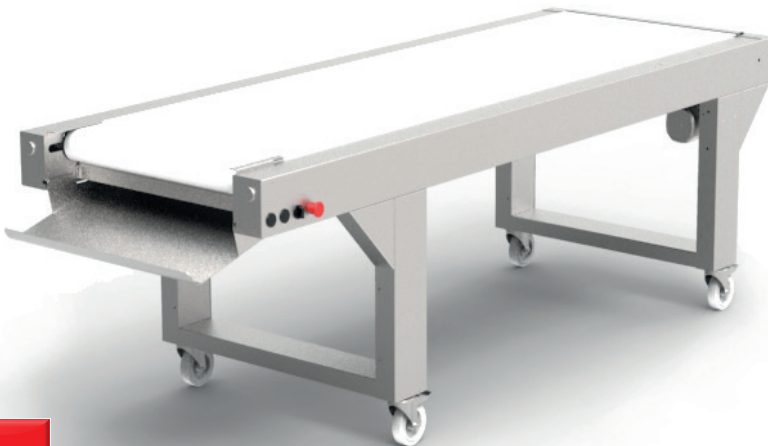


### Moulder evacuation belt

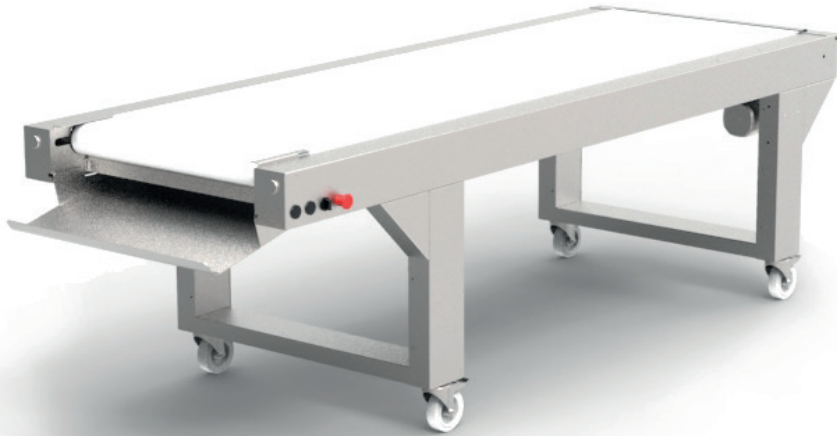
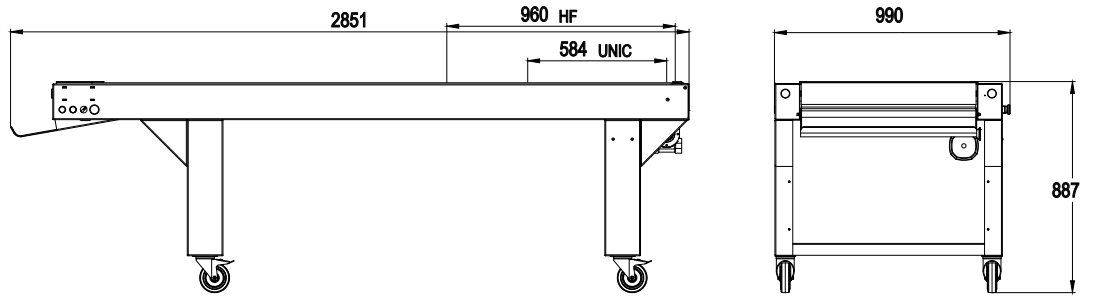
**NEW** DRIVY-S



**NEW** MOOV-M



**NEW** MOOV-L



**FEATURES**

Length

**DRIVY-S**

1,5m

**MOOV-M**

2m

**MOOV-L**

2,5m

**CHOICES**

Controls

left / right

left / right

left / right

**Stainless steel moulder bases**

Basic base

Base with racking



Basic base dimensions (in mm)

Dimensions of base with racking (in mm)

