



# Zip

## Bun & bagel slicer

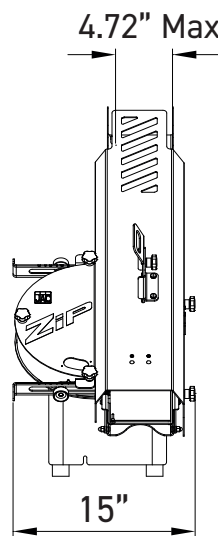
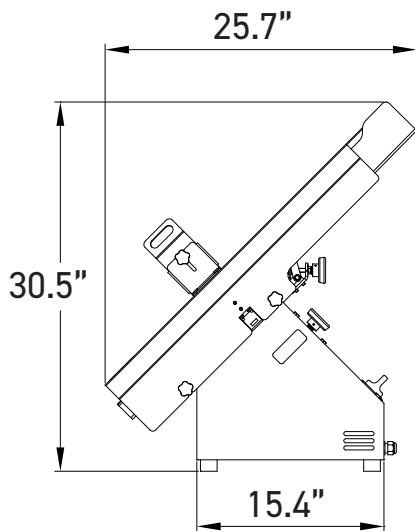
- ✓ Very quiet operation
- ✓ Variable blade settings
- ✓ Variety of cutting heights and depths
- ✓ Can handle large bagels
- ✓ Heavy duty design
- ✓ Thruput of up to 1000 slices/hour
- ✓ 5 years parts / 1 year labor warranty



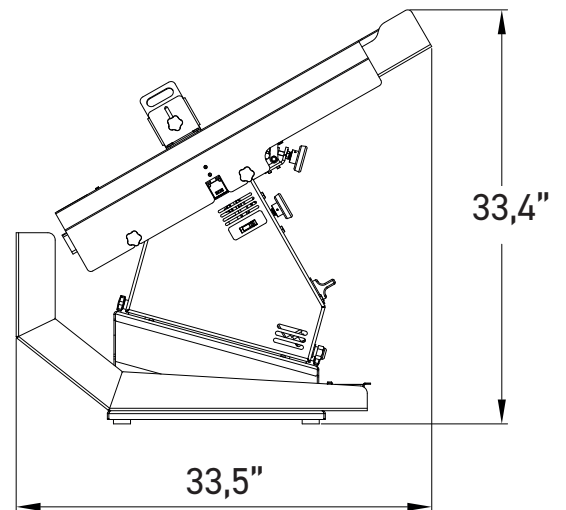
Intertek

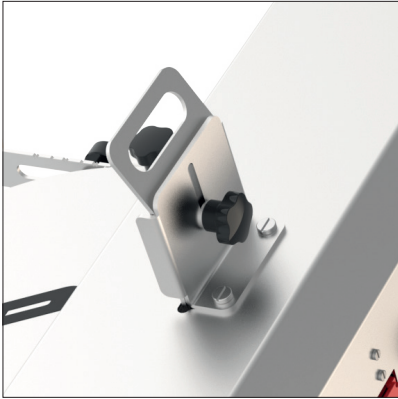


Intertek



### Zip+scorpion



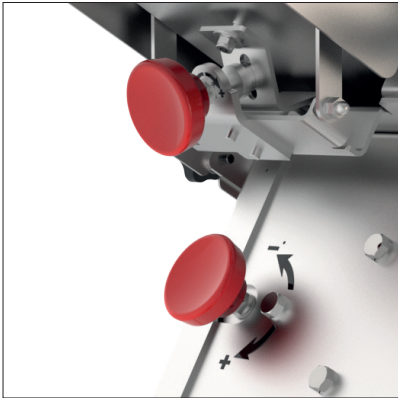


**Adjustable cutting chute**  
The adjustable height and width allow several types of loaves to be held, while ensuring a clean, precise cut.



Option

Stainless steel base



**Blade adjustment handle**  
To set the height and depth of the cut in the bread.

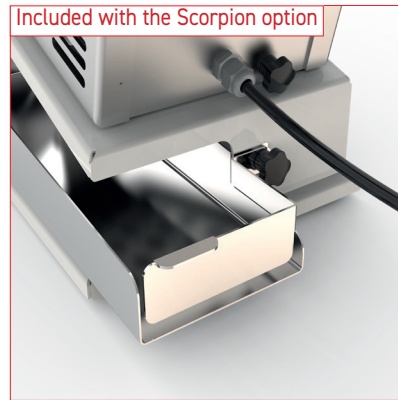


Option

Scorpion  
Bagel and bun return base unit.



**Stainless steel shutter**  
Finger protection system fixed at the outlet of the cutting area.



Included with the Scorpion option

STOP pallet  
Dismountable STOP product pallet included with the Scorpion.

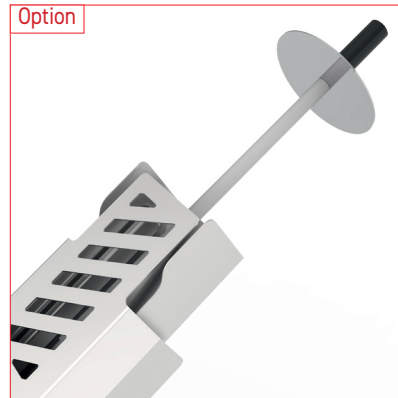
## FEATURES

Max. loaf dimensions in in (L x W)	2.36" x 2.36" / 4.72" x 3.14"
Motor power in kW	0.37
Type of motor	1ph/120V/60Hz/6.6A
Plug Configuration	NEMA 5-15P*
Net weight (in kg)	77.16
Blade type and dimensions	11.8" diameter steel

## ZIP

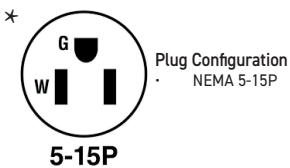
## OPTIONS

Stainless steel base	•
Scorpion	•
Bread pusher	•



Option

Bread pusher  
Allows you to safely push small, stubborn products.



Non-binding photographs and technical information

