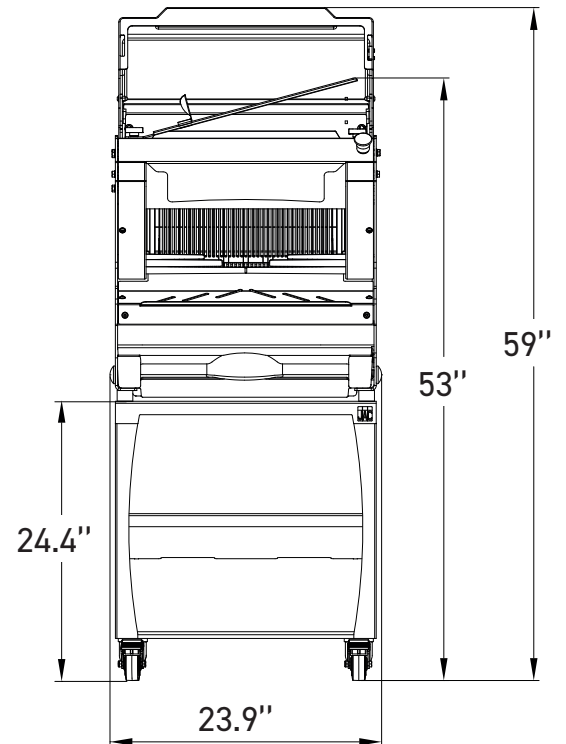
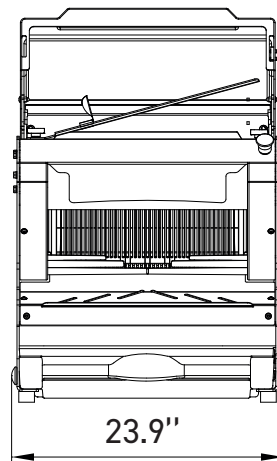
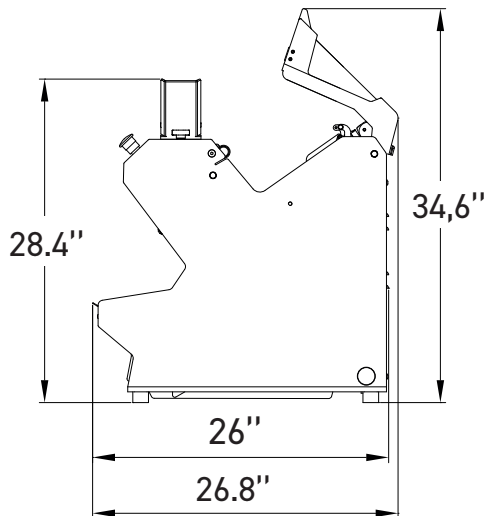




# Picomatic

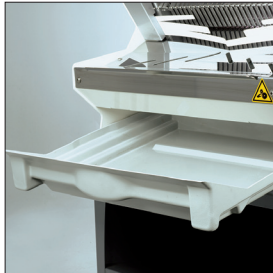
Counter top automatic slicer

- ✓ Small footprint
- ✓ Can be used on a counter-top or on a base
- ✓ Automatic slicing cycle, simple to use and optimizes time management
- ✓ Ergonomic front loading design
- ✓ Intelligent Slicing Concept
- ✓ 5 years parts / 1 year labor warranty
- ✓ Up to 17" loaf





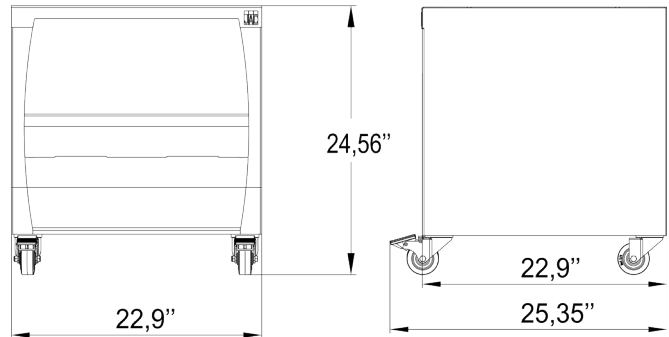
**Intelligent Slicing Concept (JAC patent)**  
 Continuous automatic control system that slices loaves according to their consistency. This allows open textured, crusty and dense breads to be sliced with equal efficiency.



**Removable crumb collector**  
 Made of light-weight material, accessible from the front. 1,85 gallons capacity.



**Wheeled base**  
 Provides storage space and mobility.



**FEATURES**

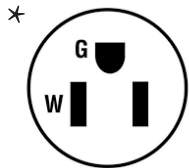
Max. loaf dimensions in in (L x W x H)	17.3" x 11.8" x 7"
Rear safety cover	•
Motor power in kW	0.49
Type of motor	1ph/120V/60Hz/7.3A
Plug configuration	NEMA 5-15P*
Net weight in lbs	231
Wheeled base net weight in lbs	66

**PICOMATIC ONE 450**

**OPTION**

Wheeled base

•



**5-15P**

Plug Configuration  
 NEMA 5-15P

SLICE THICKNESS	
INCH TO MM	
3/8"	10
7/16"	11
1/2"	13
5/8"	16
3/4"	19
7/8"	22
1"	25
1 1/4"	31

