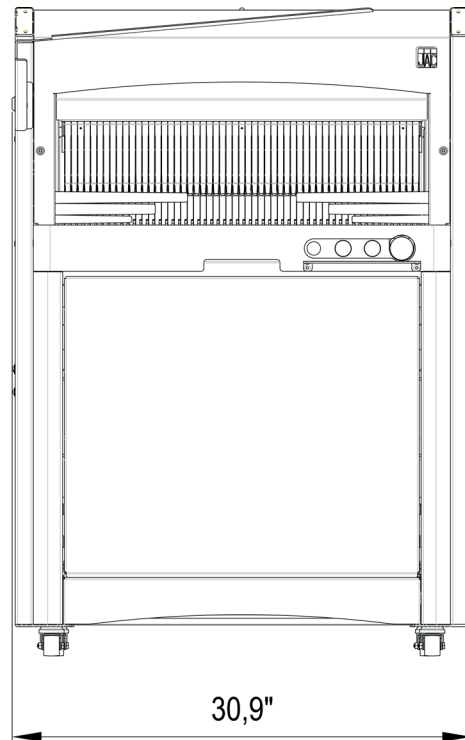
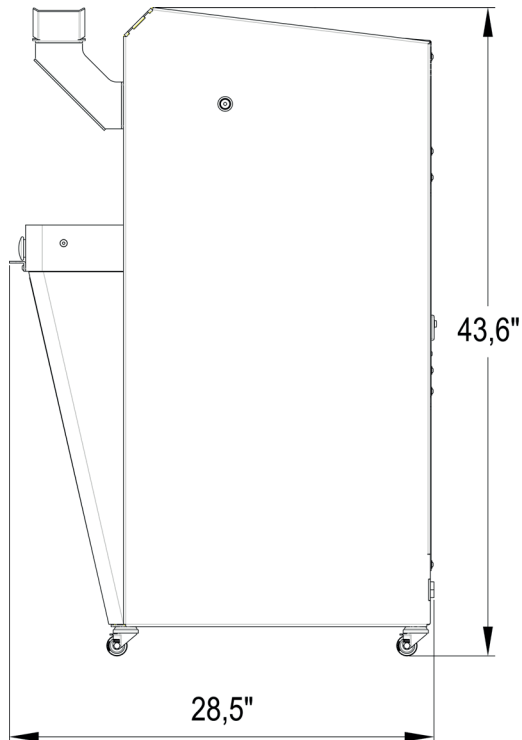
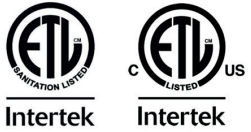




# Eco+ 600



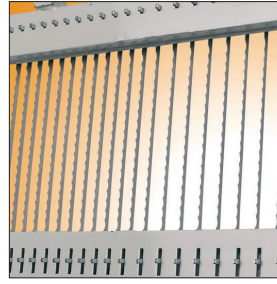
- ✓ Double slice thickness
- ✓ Removable crumb collector
- ✓ Clear instructions
- ✓ Easy cleaning access
- ✓ 5 years parts / 1 year labor warranty



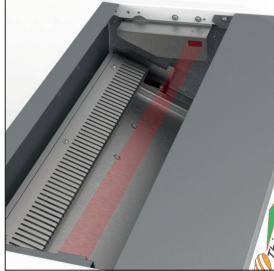


**ISC® (Intelligent Slicing Control) (patent JAC)**  
Automatic control system of pressure and slicing speed . It adapts the cutting action according to the consistency of the bread. no manual setting needed.

**ISC extended mode selector**  
Two automatic extra modes, in order to adapt to extreme cutting conditions of very fresh breads or high cutting rates.



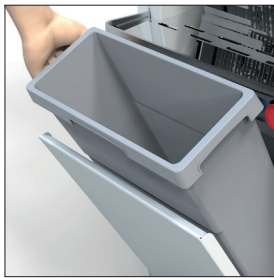
**Double slice thickness**  
Allows two different slicing widths on the same machine



**Single light beam safety**  
Increased accessibility while maintaining an optimum safety level.



**Cutting channel divided in two.**  
Thick slices on the left and thin slices on the right.



**Removable crumb collector**  
Accessible by tilting the front, cylinder-assisted door.  
4.7 gallons capacity.



**Clear instructions**  
Allows the user to manipulate the machine correctly.

## FEATURES

Max. loaf dimensions in in (L x W x H)	23.6" x 12.2" x 6.3"
Motor power in kW	0.49
Slice thicknesses	1/2" and 3/4"
Type of motor	1ph/120V/60Hz/7.3A
Plug Configuration	NEMA 5-15P*
Net weight in lbs	397
Loaf pusher pressure selector	•
Double slice thickness	•

## ECO+ 600P



Plug Configuration  
NEMA 5-15P

SLICE THICKNESS	
INCH TO MM	
3/8"	10
7/16"	11
1/2"	13
5/8"	16
3/4"	19
7/8"	22
1"	25
1 1/4"	31