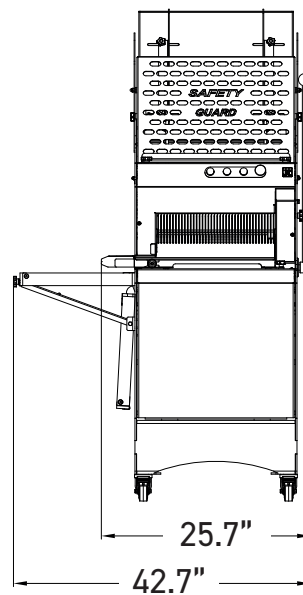
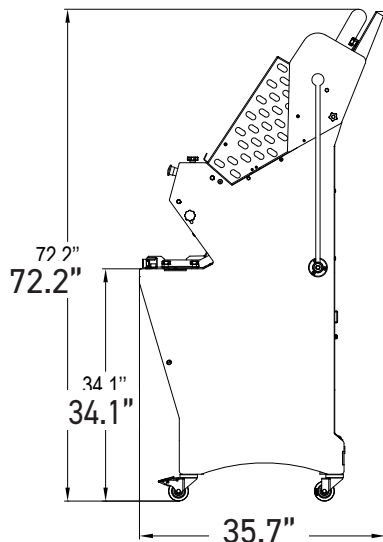




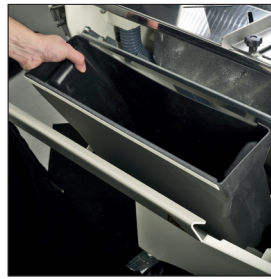
# Chute

- ✓ Designed for cutting soft white loaves
- ✓ Maximum output thanks to a continuous cycle
- ✓ Minimum space requirement
- ✓ Front-loading for ergonomic efficiency
- ✓ 5 years parts / 1 year labor warranty

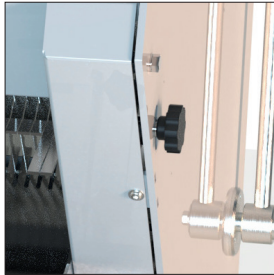




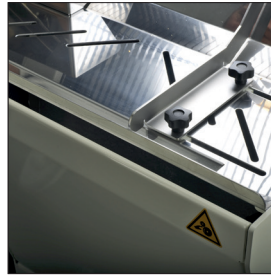
**Loading ramp**  
Fitted with side guides, increases loading capacity.



**Removable crumb collector**  
Accessible by tilting the front cylinder-assisted door.  
4.75 gallons capacity.



**Adjustable bread holder**  
Adjusts the pressure on the bread to ensure a clean, precise quality of cut.



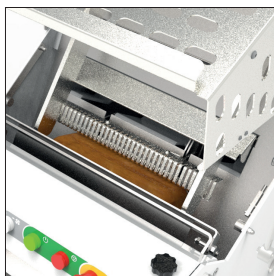
**Bread exit guides**



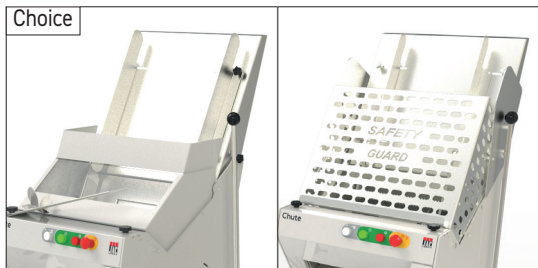
**Lever on the side**  
Allows the final loaf to be cut completely safely.



**Fold down bag blowing table**  
Saves packaging time.



**Big final loaf pusher**  
Allows the final loaf to be cut completely safely.



**Type of guard**  
Classic or metal.

**FEATURES**

Max. loaf dimensions in in (L x H)	17.3" x 6.3"
Motor power in kW	0.49
Type of motor	1ph/120V/60Hz/7.3A
Plug Configuration	NEMA 5-15P*
Net weight in lbs	507

**CHUTE 450**

**CHOICES**

Type of guard	Classic Metal
---------------	------------------

**OPTION**

Special slice thickness (more than 5/8 ") | •



**Plug Configuration**  
NEMA 5-15P

SLICE THICKNESS	
INCH TO MM	
3/8"	10
7/16"	11
1/2"	13
5/8"	16
3/4"	19
7/8"	22
1"	25
1 1/4"	31