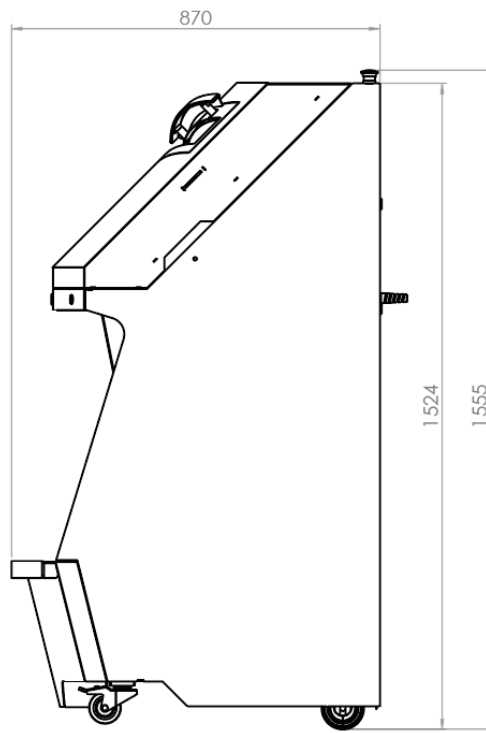
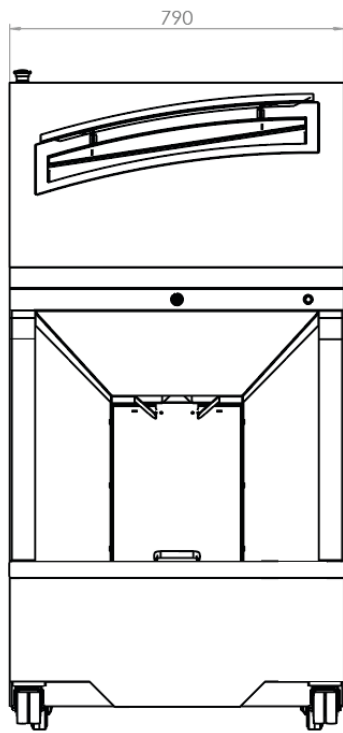


# BAG O BAG

- ✔ Enables up to 60 cm long baguettes to be sliced
- ✔ Maximum safety due to the cover being locked during the cutting cycle
- ✔ Removable, ergonomic crumb collector
- ✔ Automatic cutting cycle for simplicity of use
- ✔ Easy users guide
- ✔ Exclusive packaging system for sliced parts





## SPECIFICATIONS

Max. loaf dimensions in cm (L x W x H)	8,5 x 60
Motor power in kW	0,40
Net weight (in kg)	265
Power supply	230V mono
Slice thickness in mm	16

## MAIN STRENGTHS



### Baguette loading area

After opening the safety cover, just slide the baguette you want to slice into the Slicer. Then close the safety cover to start the slicer.



### Reception area

The slicer is supplied with plastic bags and places the sliced parts of the baguette into a plastic bag. When the baguette has been sliced you just pick up the bag. The sliced baguette stays fresh and free of any external contamination.