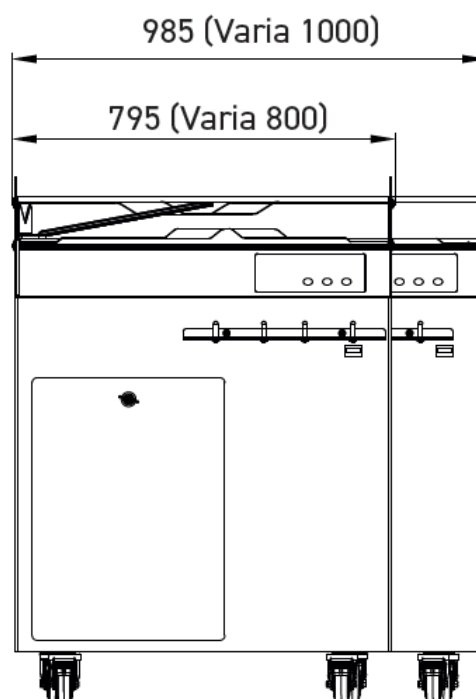
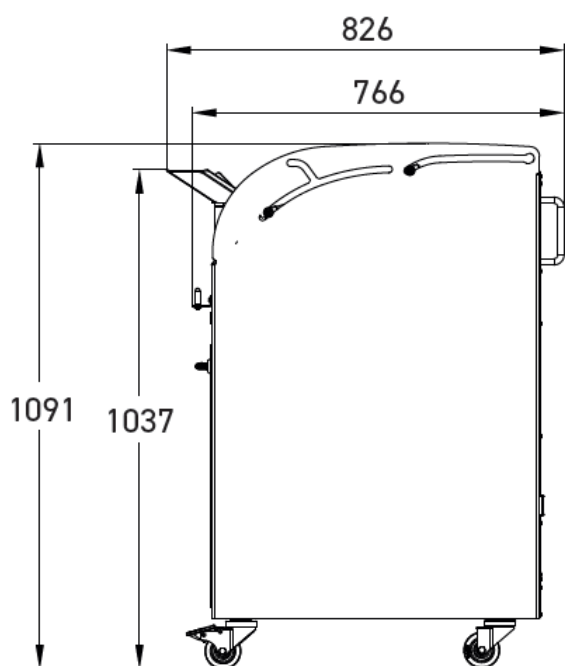





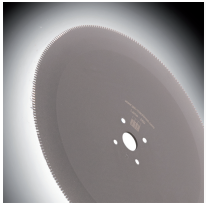
- ✓ Farineur intégré
- ✓ Gestion de la pression et du temps de tassage
- ✓ Cycle de tassage et de découpe automatique
- ✓ Cycle de décompression automatique de la pâte
- ✓ Remontée automatique des pâtons lors de l'ouverture du capot ou de la grille
- ✓ Accroche automatique du support de grilles



SPECIFICATIONS

Size of entry channel (L x W x H) in cm	42 x 28.5 x 16
Slice thickness in mm	Can be set from 5 to 25mm*
Power supply	400V three-phase
Motor power in kW	1.1
Net weight (in kg)	220
Cleaning position	•
Blade type and dimensions in mm	420 mm diameter, Teflon-coated
Finition	
Options (Additional cost)	Bag holder , Users' explanatory poster, Sourdough bread holding system , Power supply 60 Hz

MAIN STRENGTHS



Teflon-coated circular blade

Non-stick allowing the clean slicing of all types of bread.



Safety cover

Locked during the cutting cycle, prevents access to the blade.